

POLE P453-85TFS

DESCRIPTION

The pole shall consist of a base and a shaft. The cast iron base shall be round in shape. The castings shall be of uniform wall thickness with no warping or mold shifting and shall be formed true to the original pattern with complete detail. The tapered shaft shall be made of steel with 16 flutes and shall be mechanically fastened to the base. A cast aluminum donut shall cover joint. The donut shall be fastened with stainless steel hardware. A 7" x 10" x 9"H service door shall be located at 12" to center from the bottom of pole.

MOUNTING

The pole shall be supplied with a sturdy steel template and with 4 hot dipped galvanized "L" type anchor bolts sized as appropriate with two nuts and two washers each. These will install on an 15" bolt circle with anchor bolts extending 3" above the ground level. An optional 3"H x 3"OD tenon is available for fixture mounting. Custom tenon sizes may be available.

CONTACT INFORMATION



(800) 267-3175 (905) 238-2648
 1280 Fewster Drive Mississauga
 Ontario L4W 1A4 Canada
 Fax (905) 238-9060
 Email sales@hcilighting.com
 WEB www.hcilighting.com

COLOR AND OPTIONS

There are five standard RAL colors to choose from: Black 9011, Green 6005, Bronze 8019, Grey 7012 and White 9016. Custom colors are available for an upcharge. A variety of options is available. For more information please see the *Finishes* and *Options* sections.

DIMENSIONS

The pole shall be XX' in height. The base shall be 24" in diameter.

FINISH

All applicable parts shall receive a standard electrostatically applied thermoset polyester powder coat smooth semi gloss finish with a four part corrosion inhibiting process.

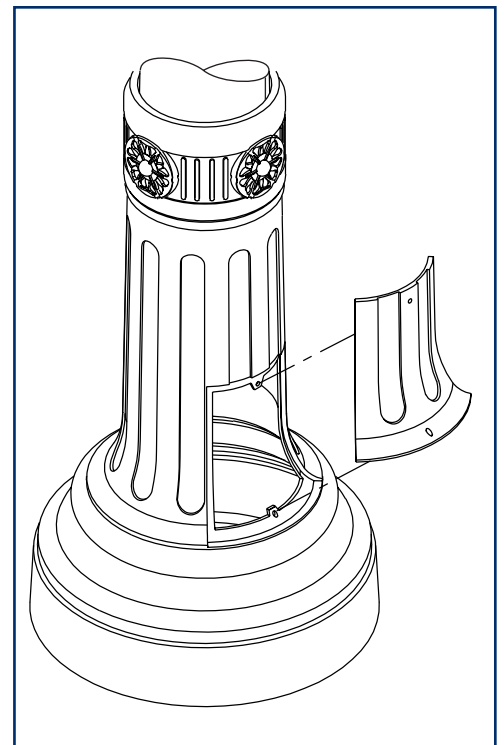
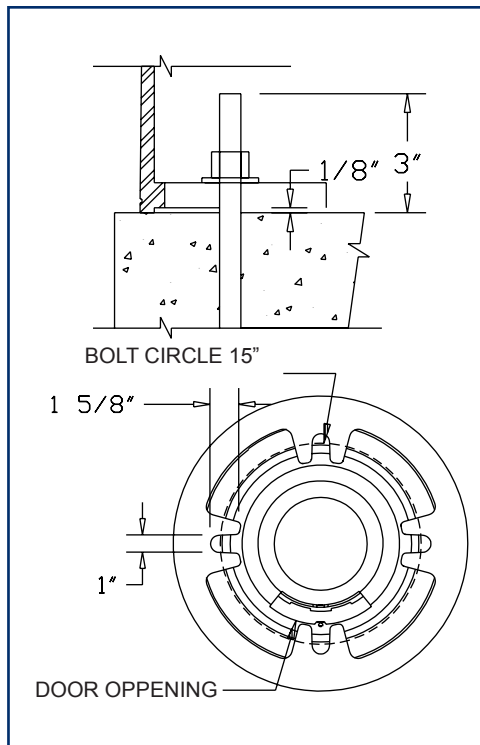
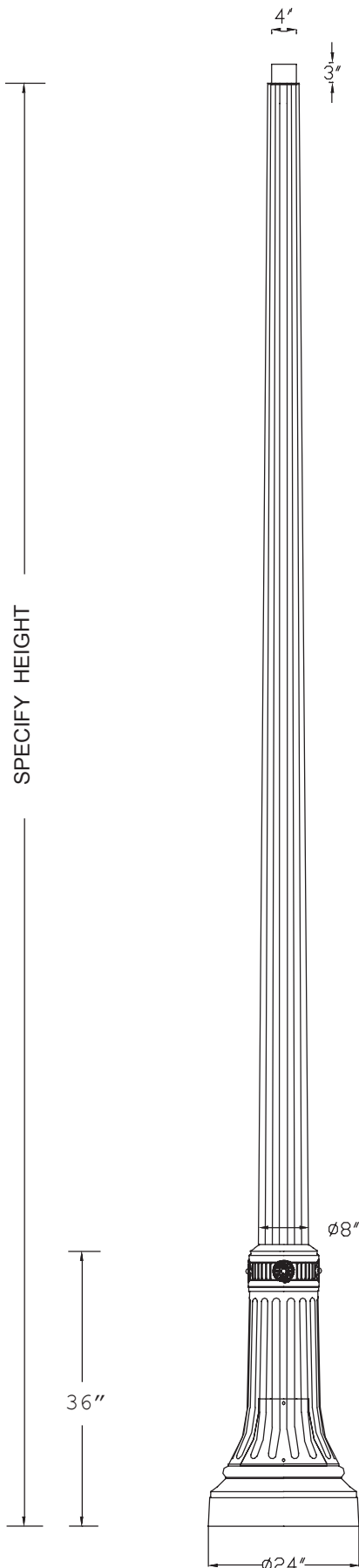
OPTIONS

- SRT single receptacle ¹
- DRT double receptacle ¹
- GFI GFI receptacle ¹
- BA1-BM single bolt-on 24"L banner arm ^{2,3,4,5}
- BA1-BBM single bolt-on break-away 24"L banner arm ^{2,3,4,5}
- BA1-CM single clamp-on 24"L banner arm ^{2,3,5}
- BA1H-BM single bolt-on 24"L banner arm with hog ring ^{2,4,5}
- BA1H-BBM single bolt-on break-away banner arm w/ hog ring ^{2,4,5}
- BA1H-CM single clamp-on 24"L banner arm with hog ring ^{2,5}
- SS1-CM single clamp-on street sign

NOTES

- ¹ Usually located 6" to center from top of the pole
- ² For two at 180° substitute "1" with "2"
- ³ For one upper and one lower, add suffix "x2"
- ⁴ Specify mounting height
- ⁵ Artwork and banners by others

SPECIFY HEIGHT



HCI, Ltd. neither designs nor recommends concrete footing size

Ordering Sequence Example:

Luminaire	Fitter	Diffuser	Light Source	Voltage	Optical System	Arm Configuration	Pole	Finish	Options
F180-L	—	CTG	150HPS	120V	SR-3	A359 1A	P453-85TFS-20	RAL9011	SRT