

WP09 LED Series



Description

WP09 Wall Pack Light is one of the most dependable lights for security lighting luminaire. It is designed for areas like outdoor lighting and courtyard illumination. It is a high efficient lighting solution that provides a long-lasting and energy-saving. The rugged housing offers advanced thermal management and protection against outdoor environments without compromising aesthetics.

Specification

Housing

Die cast aluminum housing finished standard in a black powder coating.

Hardware

All exposed hardware is made of durable stainless steel, with industrial strength seals. Vertical heat fins that are optimal for heat dissipation while keeping smooth outer surface.

Interior Design & Optical

Big driver compartment. Several types of drivers available and enough space to install intelligent devices.

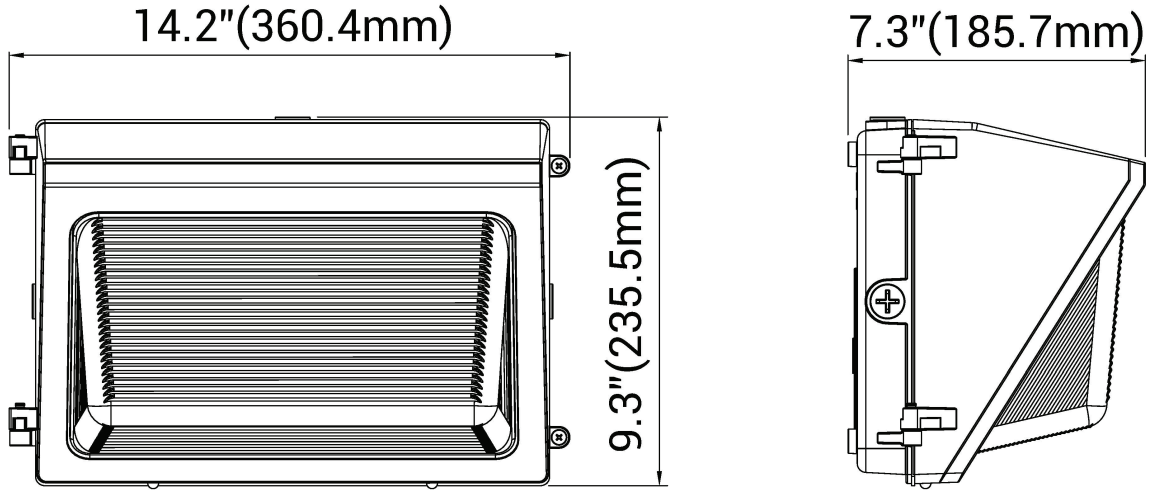
Exterior Design & Finish

Luminaire is designed to fit post top mounting or pendant mounting with our ornamental arms and poles, and is suitable for wet locations.

Finish is electrostatically applied with thermoset polyester powder-coat.



Dimensions



30W/40W/60W/80W/100W/120W

Product Ordering Number

PRODUCT	LUMENS	CCT	VOLTAGE	OPTICS	OPTIONS	FITTER	FINIALS
WP09	140 lm/w	3500K 4000K 5000K =10% Variance	120v-277v	IES TYPE II (2) III (3) IV (4)	DIM Dimming control PCB Button type photocell	N/A	N/A

DIFFUSER TYPE

N/A

Color

Standard RAL
9011 Black

