



LED WALL PACK LIGHT SPECIFICATION



30W/40W/60W
80W/100W/120W



Description:

WP09 Wall Pack Light is one of the most dependable lights for security lighting luminaire. It is designed for areas like outdoor lighting and courtyard illumination.



Parameters:

Model No.	WP09-30W	WP09-40W	WP09-60W	WP09-80W	WP09-100W	WP09-120W
Watts	30W	40W	60W	80W	100W	120W
Efficacy	140LM/W (±10%)					
Input voltage	120-277VAC					
LED Chips	2835					
Color Temperature	3500K-6500K(3500K/4000K/5000K selectable)					
Operating Temperature	-22°F to 113°F (-30°C to +45°C)					
Color Rendering Index	Ra>80					
IP Rating	IP65					
Power Factor	≥0.95					
Frequency	50/60 Hz					
Lens	PC or Glass optional					
Function	3 CCT & 4 Watts Selectable					
Certification	UL/cUL, DLC 5.1 Premium					
Housing	Die-cast Aluminum					
Finish	Bronze/Black/Customized (Optional)					
Life Time	>50,000Hrs					
Warranty	5 Years					
Additional function	0-10V Dimmable, Photocell, Motion Sensor, 3 CCT/Watts Selectable					

Features:

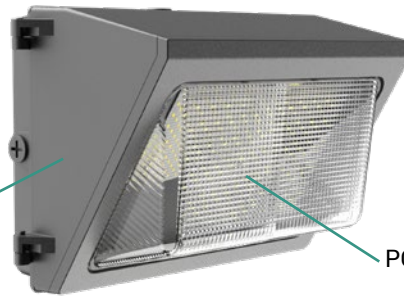
Screw-in Haisen Photocell Sensor available



Integrated Photocell Sensor available



DIP Switch - 3 CCT & 4 Wattages Selectable
(3500K/4000K/5000K Selectable)



PC or Glass Lenses optional



Screw-in Haisen Microwave Motion Sensor available

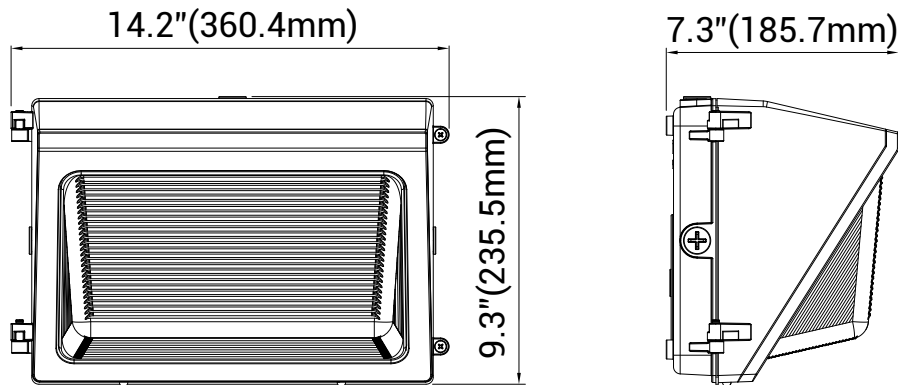


Series Overview :

Input Voltage: 120-277VAC:

Model	WP09-30L	WP09-40L	WP09-60L	WP09-80L	WP09-100L	WP09-120L
Power	30W	40W	60W	80W	100W	120W
Lumen Output 140LM/W	4200LM	5600LM	8400LM	11200LM	14000LM	16800LM
Replaces HID	100W	100W	200W	250W	320W	400W

Product Dimensions :



30W/40W/60W/80W/100W/120W

Packing :

Item	QTY	Carton-CM	N.W(KG)	G.W(KG)	20GP	40GP	40HQ
WP09-30W	1PCS	380*280*240mm 14.96" X 11.02" X9.45"	3.35	4.0	1094PCS	2109PCS	2656PCS
WP09-40W			3.35	4.0			
WP09-60W			3.8	4.5			
WP09-80W			3.9	4.5			
WP09-100W			4.0	4.7			
WP09-120W			4.2	4.9			

