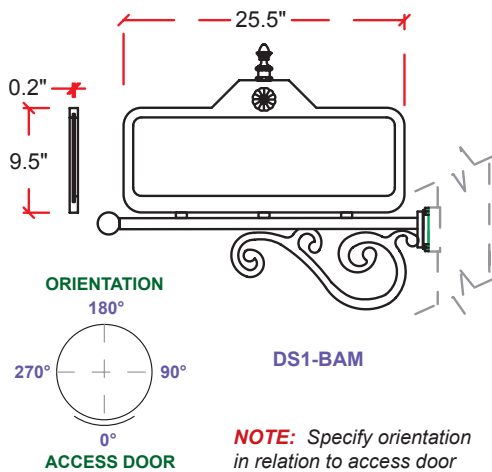
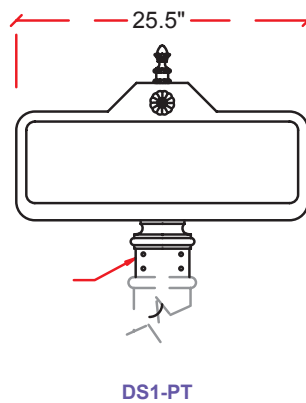


Options — Street and Traffic Signs

Bolt-on Decorative Street Sign with Banner Arm



Post Top Decorative Street Sign



Specifications

Description

The street sign frame shall be a one-piece aluminum casting. The frame shall accommodate a name plate, 0.2" maximum thickness. Name plate, lettering and artwork by others.

Material and Construction

The sign frame shall be welded to a post clamp or a post top fitter. The sign frame shall be heavy wall, copper free, cast aluminum produced from certified ASTM 356.1 ingot. The post clamp, post top fitter and banner arm shall be aluminum. All hardware shall be stainless steel.

Installation

The *bolt-on* sign shall bolt onto a mounting channel on the side of the post with four stainless steel screws.

NOTE: Specify orientation and mounting height to center of arm.

The *post top* sign shall fit on a 3"OD x 3"H tenon with six 5/16" dia socket screws.

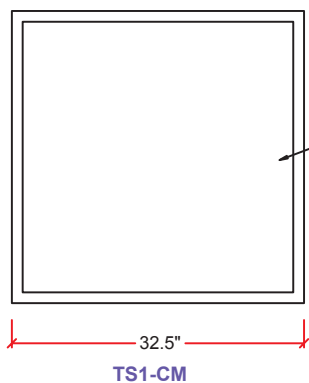
Color

There are five standard RAL colors to choose from: Black (RAL 9011), Green (RAL 6005), Brown (RAL 8019), Grey (RAL 7012) and White (RAL 8016). For finish specifications and other color options see "Color/Finish" section of this catalog.

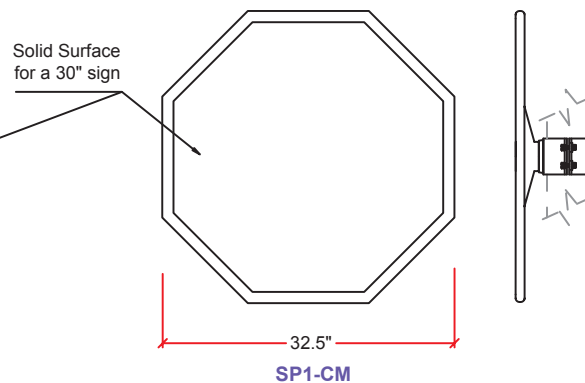
EPA Considerations

Adding street signs increases loads affecting the pole. Care should be exercised that the total EPA of accessories does not exceed the EPA rating for the pole for your project.

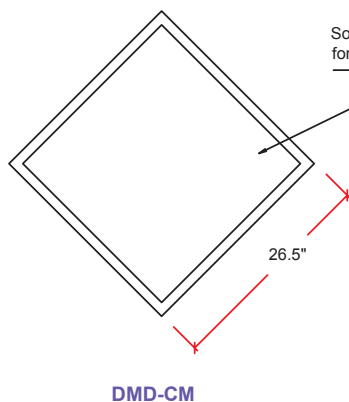
Clamp-on Square Sign



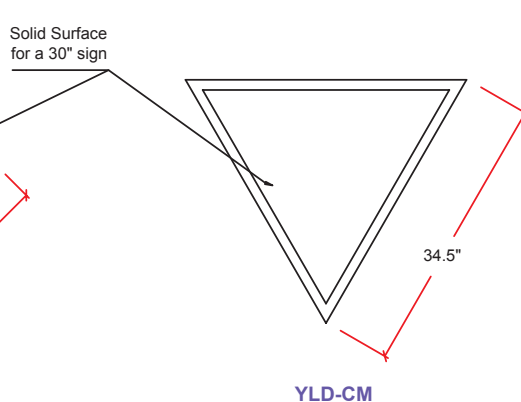
Clamp-on Stop Sign



Clamp-on Square Diamond



Clamp-on Yield Sign



(800) 267-3175 (905) 238-2648
1280 Fewster Drive Mississauga
Ontario L4W 1A4 Canada
Fax (905) 238-9060
Email sales@hclighting.com
WEB www.hclighting.com