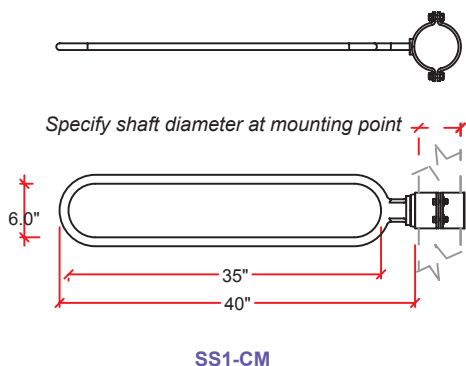
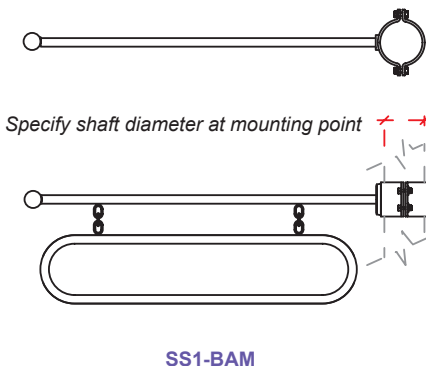


# Options — Street Signs

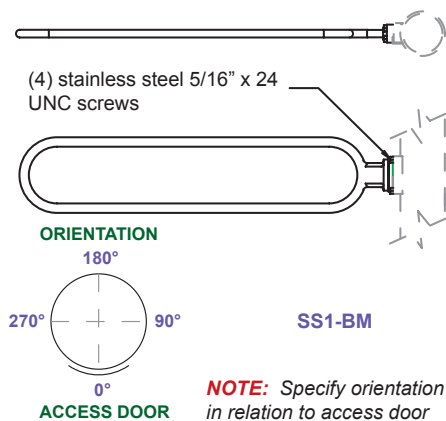
## Clamp-on



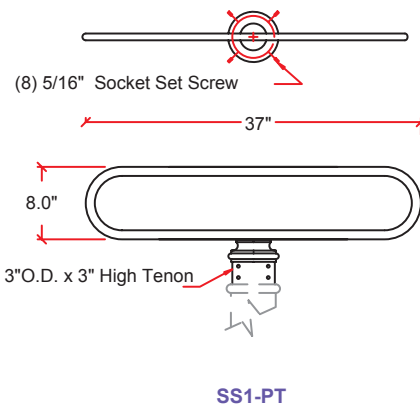
## Clamp-on with Banner Arm



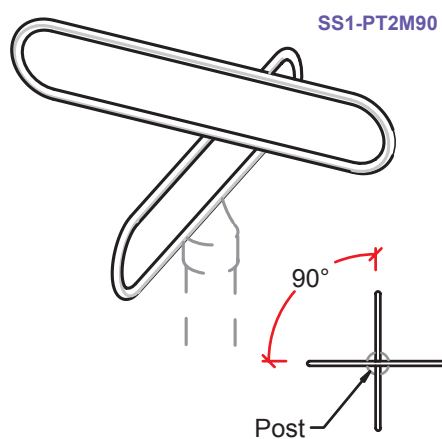
## Bolt-on



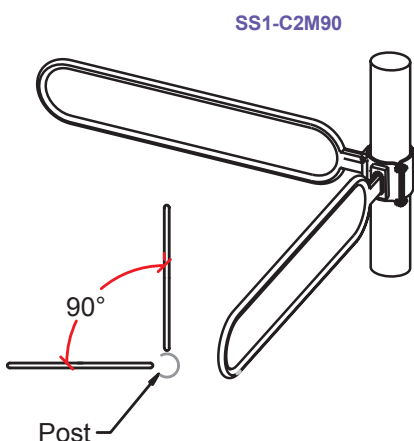
## Post Top



## Twin Post Top



## Twin Clamp-on



## Specifications

### Description

The street sign frame shall be a one-piece aluminum casting with a solid backing and a 1" thick border. The sign is identical on both sides.

### Material and Construction

The sign frame shall be welded or bolted to a mounting plate, post clamp or post top fitter. The sign frame shall be heavy wall, copper free, cast aluminum produced from certified ASTM 356.1 ingot. The mounting plate, post clamp, post top fitter and banner arm shall be aluminum (banner arm also available in steel, add "S" at the end of the model number). All hardware shall be stainless steel.

### Installation

The *bolt-on* sign shall bolt onto a mounting channel on the side of the post with four stainless steel screws.

**NOTE:** Specify orientation and mounting height to center of sign.

The *clamp-on* sign shall clamp around the post, secured with four 3/8" hex head bolts.

**NOTE:** Specify post diameter at mounting point.

The *post top* sign shall fit on a 3"OD x 3"H tenon with six 5/16" dia socket screws. **NOTE:** Lettering and graphics by others.

### Color

There are five standard RAL colors to choose from: Black (RAL 9011), Green (RAL 6005), Brown (RAL 8019), Grey (RAL 7012) and White (RAL 8016). For finish specifications and other color options see "Color/Finish" section of this catalog.

### EPA Considerations

Adding street signs increases loads affecting the pole. Care should be exercised that the total EPA of accessories does not exceed the EPA rating for the pole for your project.



(800) 267-3175 (905) 238-2648  
1280 Fewster Drive Mississauga  
Ontario L4W 1A4 Canada  
Fax (905) 238-9060  
Email sales@hclighting.com  
WEB www.hclighting.com