



C



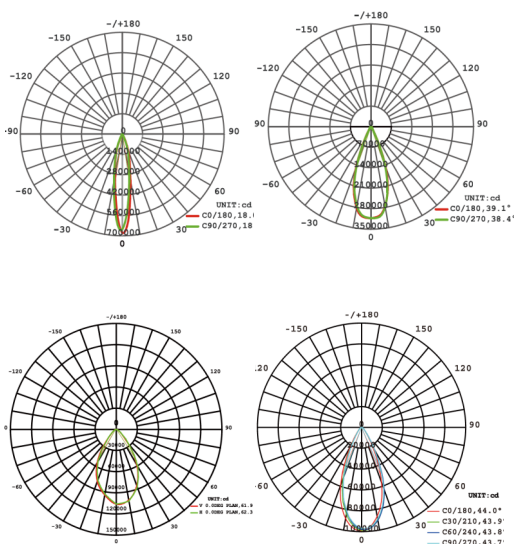
DESCRIPTION

HCI SP Sports flood Light IP66 is a professional flood light which can be used in various sports field such as ball diamond, football, cricket field, tennis Court etc. Its compact design gives low front EPA 1.18 ft² for 300W-500W & 2.08 ft² for 600W-1250W makes it ideal for LED retrofit projects as well as new installations. Available in 300W ~ 1200W with variety of beam angles 15°,30°,45° and 80°. Comes with standard 10kV SPD Surge Protection Device.



PHOTOMETRY

SPECIFICATION FEATURES



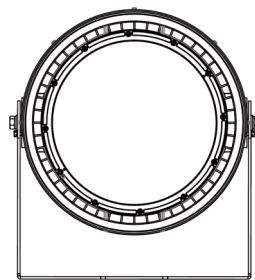
Design	Die Cast Aluminum body.
Mounting	Trunnion U shaped Bracket & Slip Fitter.
Environment	IP66
LED	Osram/ Philips 300watt ~ 1250W LED module with 130lm/W, CRI > 70 Available in 3000K, 4000K, 5000K, 5700K CCT.
LED Driver	Standard Integrated, Optional remote with Universal AC100-277V/ High Voltage AC 240-480V
Operating Temperature	-30° C ~ 50° C

Product Ordering Number

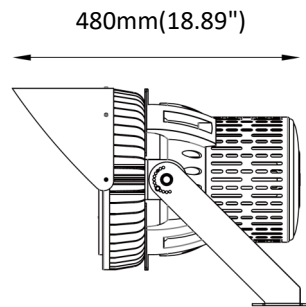
Model	Mounting	Watt	Lumens @3000K	Input	Optics	CRI	CCT	Finish
SP01	Y - Yoke (standard)	300 - 300W	390L - 39000Lm	UNV - 120V/227V	15 - 15°	70 - 70 RA	30 - 3000K	BK - Black
		400 - 400W	520L - 52000Lm		* 30 - 30°		40 - 4000K	
	SF - Slip fitter	500 - 500W	650L - 65000Lm	HV - 240/480V	** 25 - 25°	>70 - >70 RA	50 - 5000K	
		600 - 600W	780L - 78000Lm		45 - 45°		57- 5700K	
		750 - 750W	975L - 97500Lm		80 - 80°			
		1000 - 1000W	1300L - 130000Lm					
		1250 - 1250W	1625L - 162500Lm					

ORDERING EXAMPLE: SP01-Y-300-390L-UNV-30-70-50-BK

* 30° (300-500W), ** 25° (600-1250w)

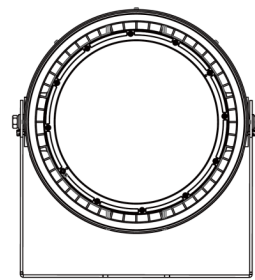


Ø363mm(14.29")

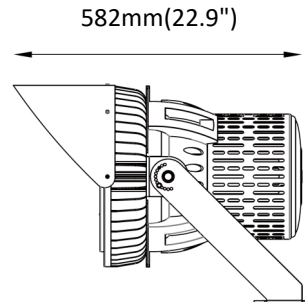


480mm(18.89")

300W-500W



Ø472mm(18.58")



582mm(22.9")

600W-1250W

MODEL	DIA Ø	HEIGHT H
SP01-300W-500W	363mm(14.29")	480mm(18.89")
SP01-600W-1250W	472mm(18.58")	582mm(22.9")