

# POLE P426-4F

## DESCRIPTION

The pole shall consist of a one-piece base cover and a shaft. The base cover shall be circumferentially welded to the shaft and shall be octagonal in shape. The castings shall be of uniform wall thickness with no warping or mold shifting and shall be formed true to the original pattern with complete detail. The shaft shall be made of extruded aluminum with 12 flutes. A 6-1/2" x 8-1/2" x 14"H service door shall be located in the bottom of pole.

## DIMENSIONS

The pole shall be XX' in height. The base shall be 12" in diameter, flat to flat.

## MOUNTING

The pole shall be supplied with a sturdy steel template and with 4 hot dipped galvanized 3/4" x 24" long "L" type anchor bolts with two nuts and two washers each. These will install on a 7-1/2" bolt circle with anchor bolts extending 3" above the ground level.

## COLOR AND OPTIONS

There are five standard RAL colors to choose from: Black 9011, Green 6005, Bronze 8019, Grey 7012 and White 9016. Custom colors are available for an upcharge. A variety of options is available. For more information please see the *Finishes* and *Options* sections.

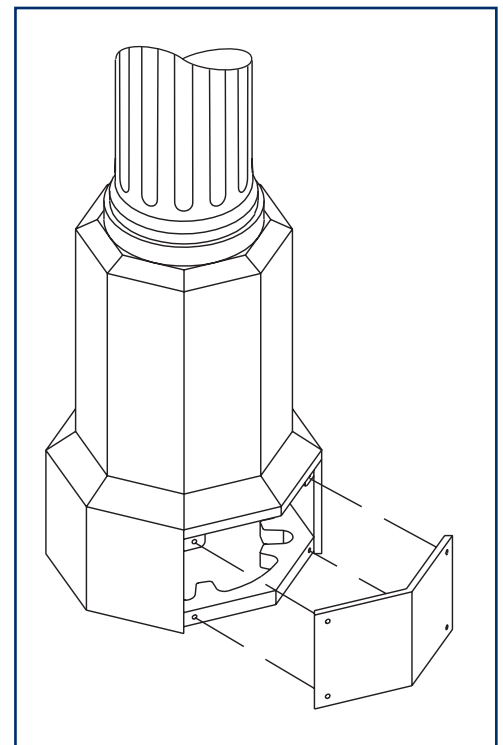
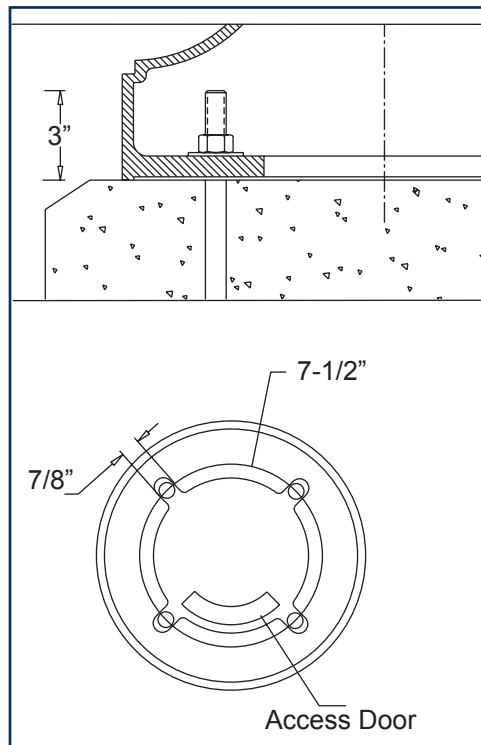
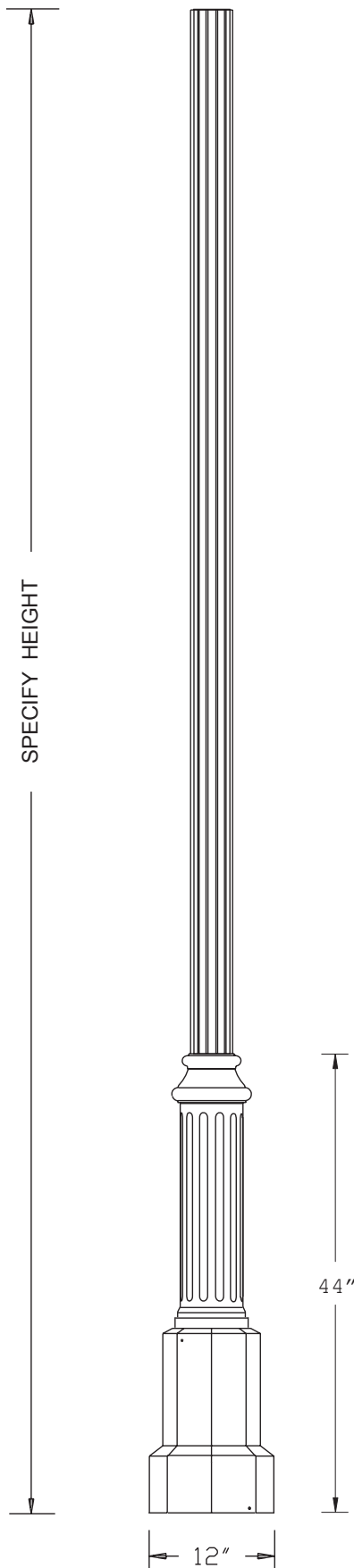
## CONTACT INFORMATION



(800) 267-3175 (905) 238-2648  
 1280 Fewster Drive Mississauga  
 Ontario L4W 1A4 Canada  
 Fax (905) 238-9060  
 Email sales@hcilighting.com  
 WEB www.hcilighting.com

## FINISH

All applicable parts shall receive a standard electrostatically applied thermoset polyester powder coat smooth semi gloss finish with a four part corrosion inhibiting process.



## EPA INFORMATION

Model number	Height (ft)	Wall thickness (in)	EPA rating		
			80 mph (sq.ft)	90 mph (sq.ft)	100 mph (sq.ft)
P426-4FA-10	10	0.125	12.50	10.00	8.14
P426-4FA-12	12	0.125	8.57	6.86	5.58
P426-4FA-14	14	0.125	6.07	4.86	3.95
P426-4FA-16	16	0.125	3.93	3.14	2.56
P426-4FA-18	18	0.125	2.50	2.00	1.63
P426-4FA-20	20	0.125	-	-	-
P426-4FC-10	10	0.250	22.14	17.71	14.42
P426-4FC-12	12	0.250	16.07	12.86	10.47
P426-4FC-14	14	0.250	12.14	9.71	7.91
P426-4FC-16	16	0.250	9.29	7.43	6.05
P426-4FC-18	18	0.250	7.14	5.71	4.65
P426-4FC-20	20	0.250	5.00	4.00	3.26

HCI, Ltd. neither designs nor recommends concrete footing size

## OPTIONS

- SRT single receptacle
- DRT double receptacle
- GFI GFI receptacle
- BA1-BM single bolt-on 24"L banner arm
- BA1-CM single clamp-on 24"L banner arm
- BA1H-BM single bolt-on 24"L banner arm with hog ring
- BA1H-CM single clamp-on 24"L banner arm with hog ring
- BA1-BBM single bolt-on break-away 24"L banner arm
- BA1H-BBM single bolt-on break-away 24"L banner arm with hog ring
- SS1-CM single clamp-on street sign

## Ordering Sequence Example:

Luminaire	Fitter	Diffuser	Light Source	Voltage	Optical System	Arm Configuration	Pole	Finish	Options
F100-L	B4	FPC	150HPS	120V	LV-L5	A307 2A	P426-4FC-12	RAL9011	SRT