

# POLE P420-4F

## DESCRIPTION

The pole shall consist of a clam-shell base cover and a shaft. The base cover shall be made from a two-piece casting secured to the pole shaft with four s/s tamper resistant screws. The base shall be octagonal in shape. The castings shall be of uniform wall thickness with no warping or mold shifting and shall be formed true to the original pattern with complete detail. The 4"OD shaft shall be made of extruded aluminum with 12 flutes and shall be circumferentially welded to a cast aluminum base plate.

## DIMENSIONS

The pole shall be XX' in height. The base shall be 15" in diameter, flat to flat.

## MOUNTING

The pole shall be supplied with a sturdy steel template and with 4 hot dipped galvanized 3/4" x 24" long "L" type anchor bolts with two nuts and two washers each. These will install on a 7-1/2" bolt circle with anchor bolts extending 3" above the ground level. An optional 3"H x 3"OD tenon is available for fixture mounting. Custom tenon sizes may be available. A 2-1/4"W x 3-1/2"H service door shall be located at 12" to center from the bottom of pole.

## FINISH

All applicable parts shall receive a standard electrostatically applied thermoset polyester powder coat smooth semi gloss finish with a four part corrosion inhibiting process.

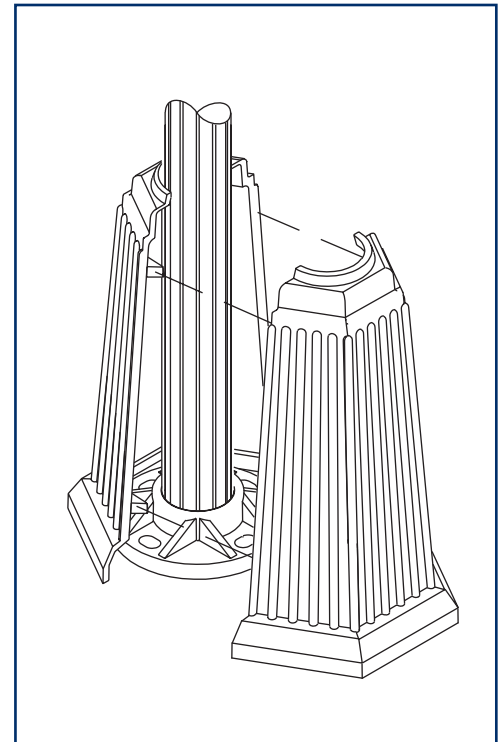
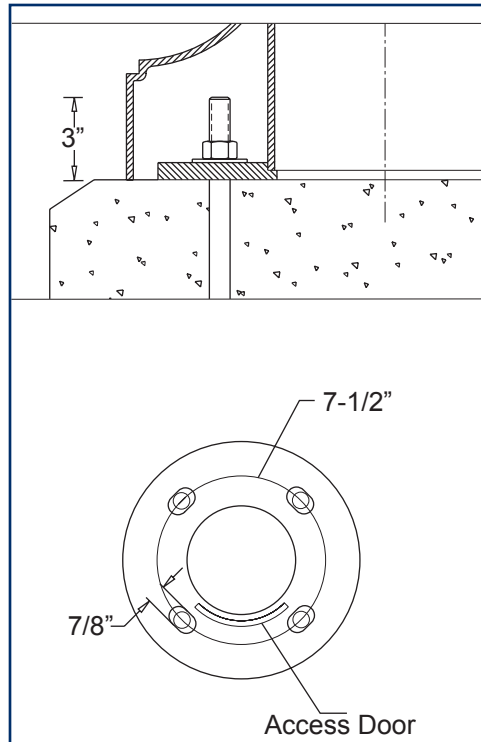
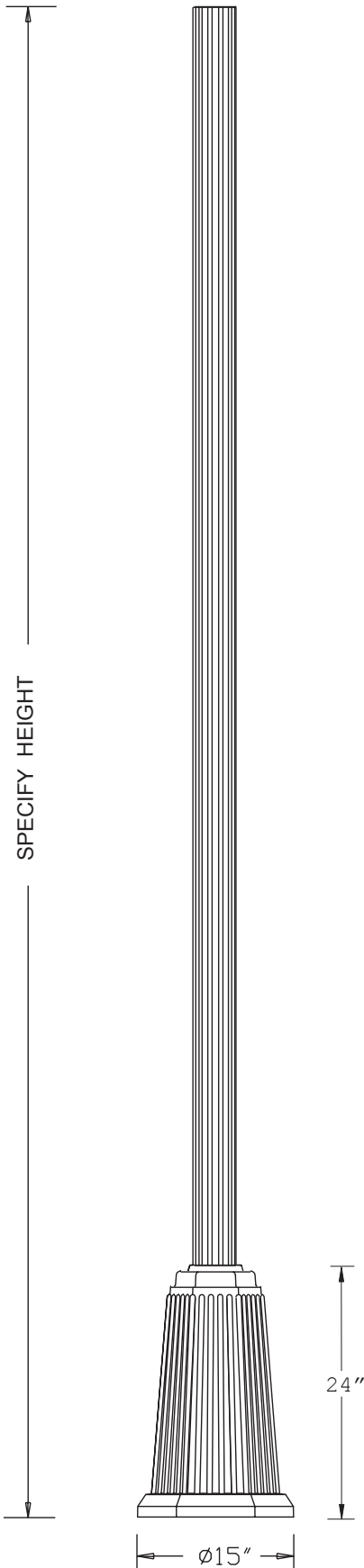
## CONTACT INFORMATION



**(800) 267-3175 (905) 238-2648**  
**1280 Fewster Drive Mississauga**  
**Ontario L4W 1A4 Canada**  
**Fax (905) 238-9060**  
**Email sales@hcilighting.com**  
**WEB www.hcilighting.com**

## COLOR AND OPTIONS

There are five standard RAL colors to choose from: Black 9011, Green 6005, Bronze 8019, Grey 7012 and White 9016. Custom colors are available for an upcharge. A variety of options is available. For more information please see the *Finishes and Options* sections.



## EPA INFORMATION

Model number	Height (ft)	Wall thickness (in)	EPA rating		
			80 mph (sq.ft)	90 mph (sq.ft)	100 mph (sq.ft)
P420-4FA-10	10	0.125	6.07	4.86	3.95
P420-4FA-12	12	0.125	4.39	3.51	2.86
P420-4FA-14	14	0.125	2.79	2.23	1.81
P420-4FA-16	16	0.125	1.43	1.14	0.93
P420-4FA-18	18	0.125	0.29	-	-
P420-4FC-10	10	0.250	12.86	10.29	8.37
P420-4FC-12	12	0.250	9.64	7.71	6.28
P420-4FC-14	14	0.250	7.50	6.00	4.88
P420-4FC-16	16	0.250	4.82	3.86	3.14
P420-4FC-18	18	0.250	3.93	3.14	2.56
P420-4FC-20	20	0.250	2.43	1.94	1.58

HCI, Ltd. neither designs nor recommends concrete footing size

## OPTIONS

- SRT single receptacle
- DRT double receptacle
- GFI GFI receptacle
- BA1-BM single bolt-on 24"L banner arm
- BA1-CM single clamp-on 24"L banner arm
- BA1H-BM single bolt-on 24"L banner arm with hog ring
- BA1H-CM single clamp-on 24"L banner arm with hog ring
- BA1-BBM single bolt-on break-away 24"L banner arm
- BA1H-BBM single bolt-on break-away 24"L banner arm with hog ring
- SS1-CM single clamp-on street sign

## Ordering Sequence Example:

Luminaire	Fitter	Diffuser	Light Source	Voltage	Optical System	Arm	Configuration	Pole	Finish	Options
F100-L	B3	FPC	150HPS	120V	LV-L5	A307	2A	P420-4FA-12	RAL9011	BA1