

# POLE P409-4F

## DESCRIPTION

The pole shall consist of a clam-shell base cover and a shaft. The base cover shall be made from a two-piece casting secured to the pole shaft with four s/s tamper resistant screws and shall be round in shape. The castings shall be of uniform wall thickness with no warping or mold shifting and shall be formed true to the original pattern with complete detail. The 4"OD shaft shall be made of extruded aluminum with 12 flutes and shall be circumferentially welded to an 8-5/8"OD aluminum extrusion. A cast aluminum donut shall cover the weld.

## DIMENSIONS

The pole shall be XX' in height. The base shall be 18" in diameter.

## MOUNTING

The pole shall be supplied with a sturdy steel template and with 4 hot dipped galvanized 3/4" x 24" long "L" type anchor bolts with two nuts and two washers each. These will install on an 11-1/2" bolt circle with anchor bolts extending 3" above the ground level. An optional 3"H x 3"OD tenon is available for fixture mounting. Custom tenon sizes may be available. A 5"W x 6"H service door shall be located at 24" to center from the bottom of pole.

## FINISH

All applicable parts shall receive a standard electrostatically applied thermoset polyester powder coat smooth semi gloss finish with a four part corrosion inhibiting process.

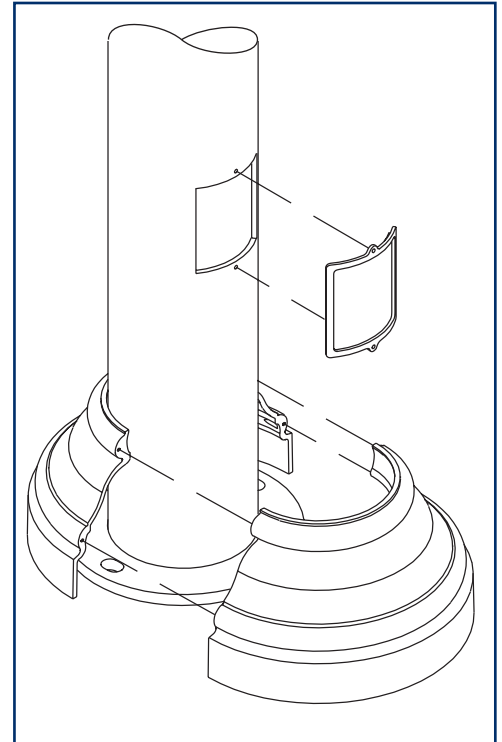
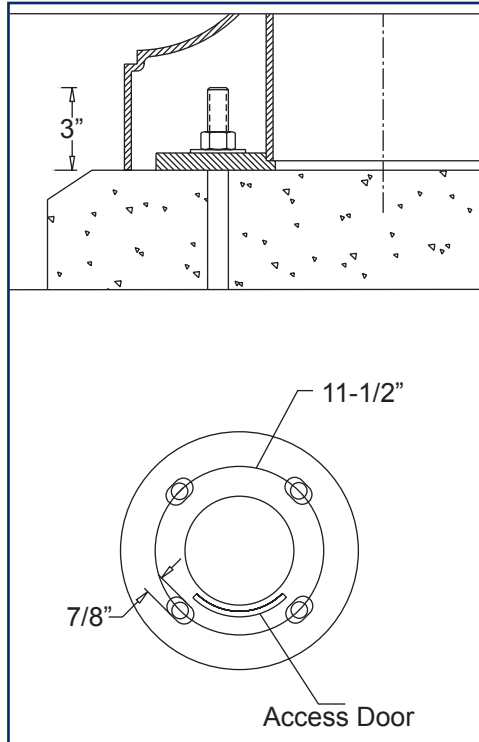
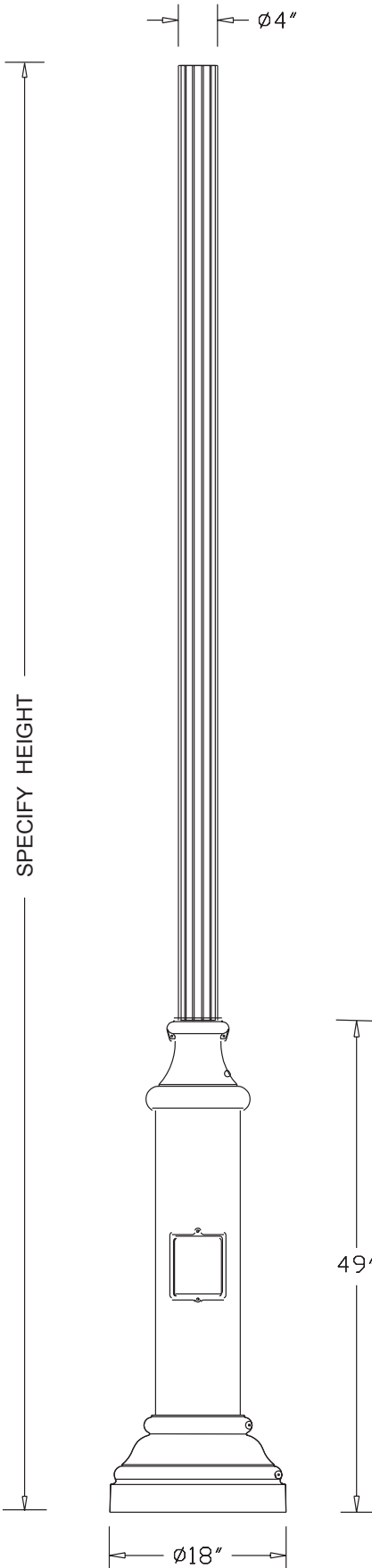
## CONTACT INFORMATION



(800) 267-3175 (905) 238-2648  
 1280 Fewster Drive Mississauga  
 Ontario L4W 1A4 Canada  
 Fax (905) 238-9060  
 Email sales@hcilighting.com  
 WEB www.hcilighting.com

## COLOR AND OPTIONS

There are five standard RAL colors to choose from: Black 9011, Green 6005, Bronze 8019, Grey 7012 and White 9016. Custom colors are available for an upcharge. A variety of options is available. For more information please see the *Finishes* and *Options* sections.



## EPA INFORMATION

| Model number | Height (ft) | Wall thickness (in) | EPA rating     |                |                 |
|--------------|-------------|---------------------|----------------|----------------|-----------------|
|              |             |                     | 80 mph (sq.ft) | 90 mph (sq.ft) | 100 mph (sq.ft) |
| P409-4FA-10  | 10          | 0.125               | 12.50          | 10.00          | 8.14            |
| P409-4FA-12  | 12          | 0.125               | 8.57           | 6.86           | 5.58            |
| P409-4FA-14  | 14          | 0.125               | 6.07           | 4.86           | 3.95            |
| P409-4FA-16  | 16          | 0.125               | 3.93           | 3.14           | 2.56            |
| P409-4FA-18  | 18          | 0.125               | 2.50           | 2.00           | 1.63            |
| P409-4FC-10  | 10          | 0.250               | 22.14          | 17.71          | 14.42           |
| P409-4FC-12  | 12          | 0.250               | 16.07          | 12.86          | 10.47           |
| P409-4FC-14  | 14          | 0.250               | 12.14          | 9.71           | 7.91            |
| P409-4FC-16  | 16          | 0.250               | 9.29           | 7.43           | 6.05            |
| P409-4FC-18  | 18          | 0.250               | 7.14           | 5.71           | 4.65            |
| P409-4FC-20  | 20          | 0.250               | 5.00           | 4.00           | 3.26            |

HCI, Ltd. neither designs nor recommends concrete footing size

## OPTIONS

- SRT** single receptacle
- DRT** double receptacle
- GFI** GFI receptacle
- BA1-BM** single bolt-on 24"L banner arm
- BA1-CM** single clamp-on 24"L banner arm
- BA1H-BM** single bolt-on 24"L banner arm with hog ring
- BA1H-CM** single clamp-on 24"L banner arm with hog ring
- BA1-BBM** single bolt-on break-away 24"L banner arm
- BA1H-BBM** single bolt-on break-away 24"L banner arm with hog ring
- SS1-CM** single clamp-on street sign

## Ordering Sequence Example:

| Luminaire | Fitter | Diffuser | Light Source | Voltage | Optical System | Arm Configuration | Pole        | Finish  | Options |
|-----------|--------|----------|--------------|---------|----------------|-------------------|-------------|---------|---------|
| F100-L    | B4     | FPC      | 150HPS       | 120V    | LV-L5          | A307 2A           | P409-4FA-10 | RAL9011 | SRT     |