

POLE P408-64T

DESCRIPTION

The pole shall consist of a one-piece base cover and a shaft. The base cover shall be circumferentially welded over and in the shaft. The base shall be octagonal in shape. The castings shall be of uniform wall thickness with no warping or mold shifting and shall be formed true to the original pattern with complete detail. The shaft shall be made of non-fluted aluminum and shall taper from 6" to 4".

FINISH

All applicable parts shall receive a standard electrostatically applied thermoset polyester powder coat smooth semi gloss finish with a four part corrosion inhibiting process.

MOUNTING

The pole shall be supplied with a sturdy steel template and with 4 hot dipped galvanized 1" x 24" long "L" type anchor bolts with two nuts and two washers each. These will install on a 15" bolt circle with anchor bolts extending 3" above the ground level. A 3"H x 3"OD or 4"OD tenon is available for fixture or arm mounting. Custom tenon sizes may be available. A 3" x 5-1/2" x 9H" service door secured with two 3/8" x 16UNC screws shall be located in the base at 15" to center from the bottom of pole.

DIMENSIONS

The pole shall be XX' in height. The base shall be 22" in diameter, flat to flat.

CONTACT INFORMATION



(800) 267-3175 (905) 238-2648
 1280 Fewster Drive Mississauga
 Ontario L4W 1A4 Canada
 Fax (905) 238-9060
 Email sales@hclighting.com
 WEB www.hclighting.com

COLOR AND OPTIONS

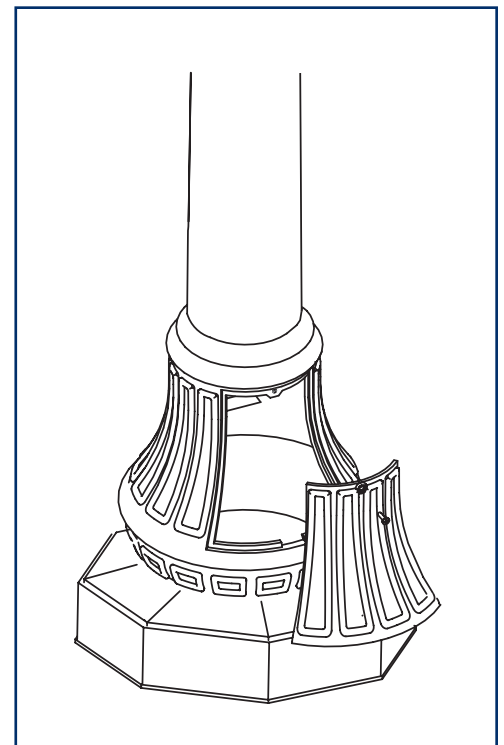
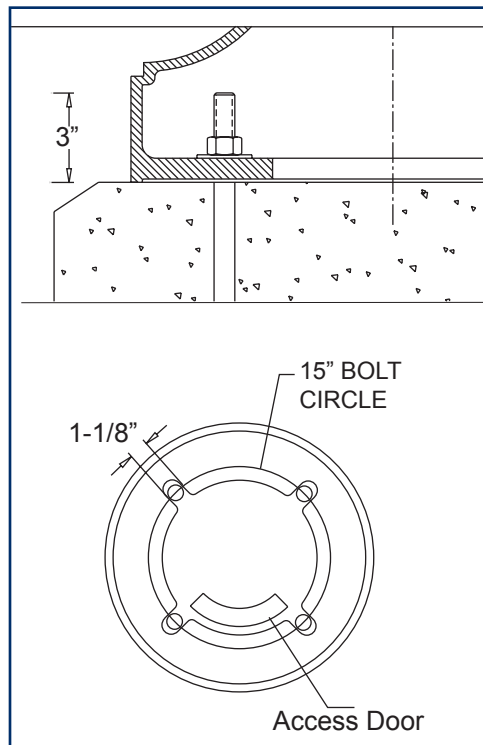
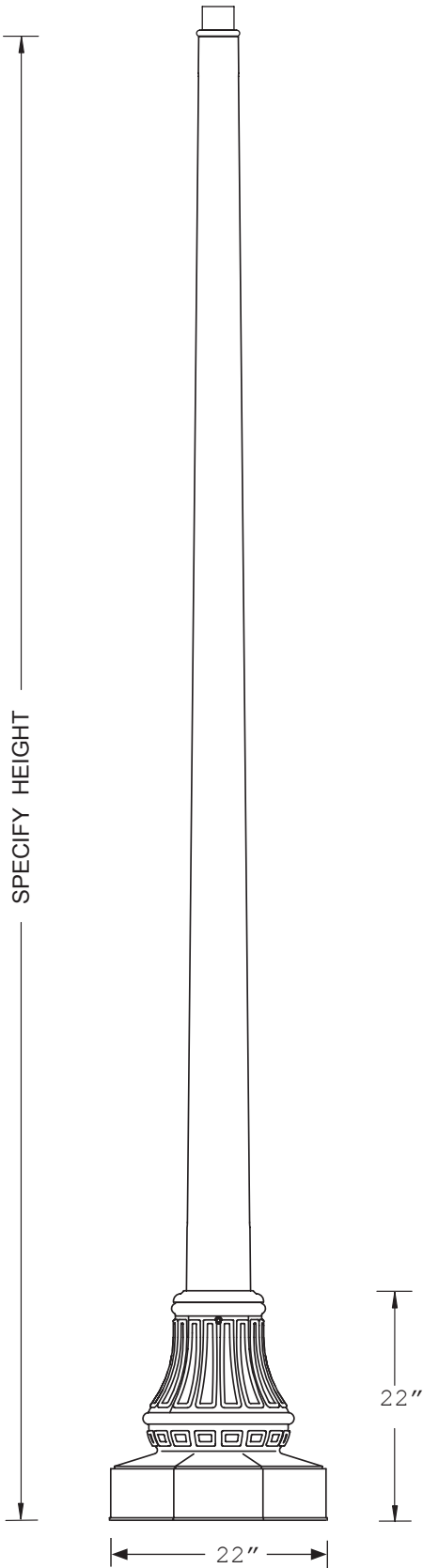
There are five standard RAL colors to choose from: Black 9011, Green 6005, Bronze 8019, Grey 7012 and White 9016. Custom colors are available for an upcharge. A variety of options is available. For more information please see the *Finishes* and *Options* sections.

OPTIONS

- SRT single receptacle ¹
- DRT double receptacle ¹
- GFI GFI receptacle ¹
- BA1-BM single bolt-on 24"L banner arm ^{2, 3, 4, 5}
- BA1-BBM single bolt-on break-away 24"L banner arm ^{2, 3, 4, 5}
- BA1-CM single clamp-on 24"L banner arm ^{2, 3, 5}
- BA1H-BM single bolt-on 24"L banner arm with hog ring ^{2, 4, 5}
- BA1H-BBM single bolt-on break-away banner arm w/ hog ring ^{2, 4, 5}
- BA1H-CM single clamp-on 24"L banner arm with hog ring ^{2, 5}
- SS1-CM single clamp-on street sign

NOTES

- ¹ Usually located 6" to center from top of the pole
- ² For two at 180° substitute "1" with "2"
- ³ For one upper and one lower, add suffix "x2"
- ⁴ Specify mounting height
- ⁵ Artwork and banners by others



HCI, Ltd. neither designs nor recommends concrete footing size

Ordering Sequence Example:

Luminaire	Fitter	Diffuser	Light Source	Voltage	Optical System	Arm	Configuration	Pole	Finish	Options
F103-M	R4	WAC	70HPS	120V	BL	A337	2A	P408-64T-12	RAL9011	SRT