

POLE P300

DESCRIPTION

The P300 pole shall be cast as one piece, the shaft and the base forming one integral unit. The shaft shall taper from 6" at the bottom to 4" at the top just below the decorative collar. The base shall include a 3" x 6" x 8-1/2"H service door for ease of installation of anchor bolts and electrical connections. The base shall be octagonal in shape.

MOUNTING

The pole shall be supplied with a sturdy steel template and with 4 hot dipped galvanized 3/4" x 24" long "L" type anchor bolts with two nuts and two washers each. These will install on a 15" bolt circle with anchor bolts extending 3" above the ground level. A standard 3"OD or 4"OD x 3"H tenon shall be provided in the pole top. Optional tenons may be available for fixture mounting. Consult factory.

CONTACT INFORMATION



(800) 267-3175 (905) 238-2648
 1280 Fewster Drive Mississauga
 Ontario L4W 1A4 Canada
 Fax (905) 238-9060
 Email sales@hclighting.com
 WEB www.hclighting.com

COLOR AND OPTIONS

There are five standard RAL colors to choose from: Black 9011, Green 6005, Bronze 8019, Grey 7012 and White 9016. Custom colors are available for an upcharge. A variety of options is available. For more information please see the *Finishes* and *Options* sections.

FINISH

All applicable parts shall receive a standard electrostatically applied thermoset polyester powder coat smooth semi gloss finish with a four part corrosion inhibiting process.

DIMENSIONS

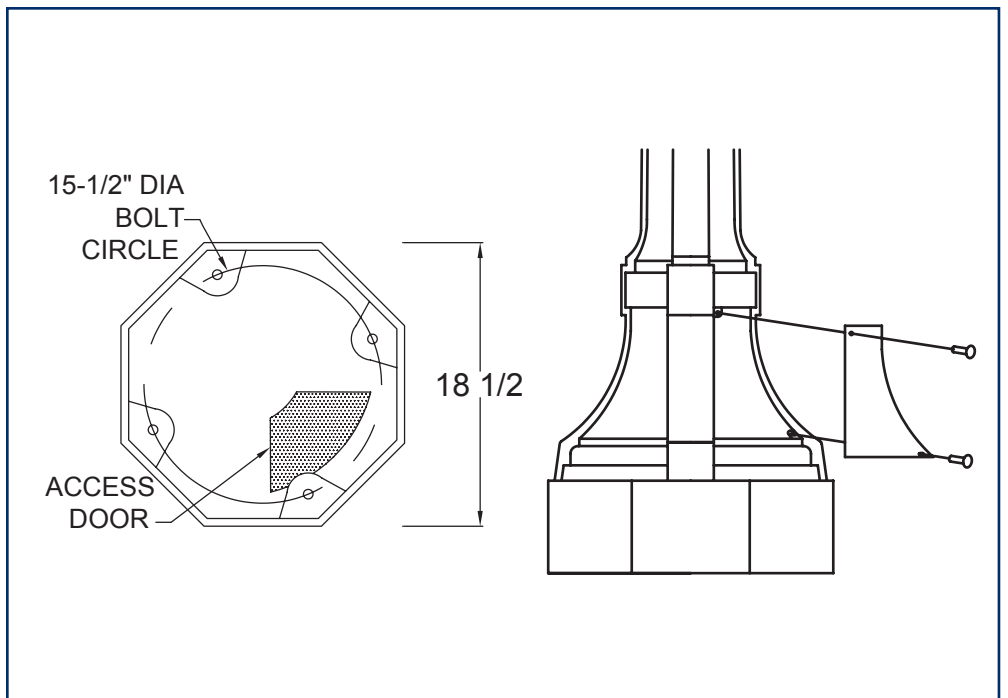
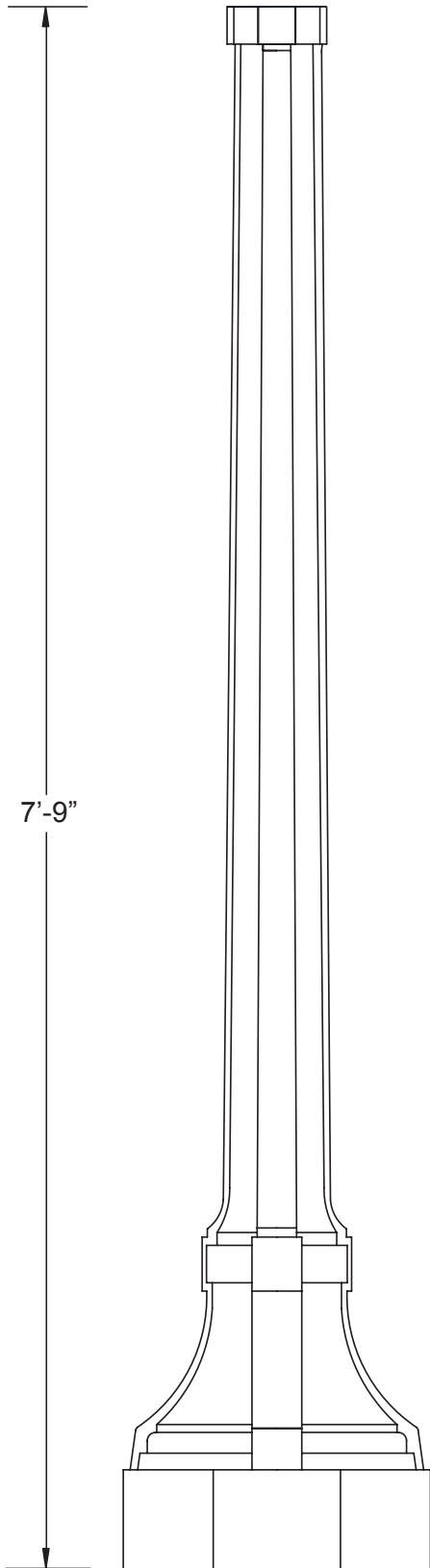
The pole shall be 7'-9" in height. The base shall be 18-1/2" flat-to-flat in diameter.

OPTIONS

- SRT single receptacle ¹
- DRT double receptacle ¹
- GFI GFI receptacle ¹
- BA1-BM single bolt-on 24"L banner arm ^{2, 3, 4, 5}
- BA1-BBM single bolt-on break-away 24"L banner arm ^{2, 3, 4, 5}
- BA1-CM single clamp-on 24"L banner arm ^{2, 3, 5}
- BA1H-BM single bolt-on 24"L banner arm with hog ring ^{2, 4, 5}
- BA1H-BBM single bolt-on break-away banner arm w/ hog ring ^{2, 4, 5}
- BA1H-CM single clamp-on 24"L banner arm with hog ring ^{2, 5}
- SS1-CM single clamp-on street sign

NOTES

- ¹ Usually located 6" to center from top of the pole
- ² For two at 180° substitute "1" with "2"
- ³ For one upper and one lower, add suffix "x2"
- ⁴ Specify mounting height
- ⁵ Artwork and banners by others



HCI, Ltd. neither designs nor recommends concrete footing size

Ordering Sequence Example:

Luminaire	Diffuser	Light Source	Voltage	Optical System	Arm	Configuration	Pole	Finish	Options
F127-L	FPC	150HPS	120V	LV-L5	A307	2A	P300	RAL9011	BA1H-CM