

Description

The pole shall consist of a clam-shell base cover and a shaft. The base cover shall be made from a two-piece casting secured to the pole shaft with four s/s tamper resistant screws. The base shall be square in shape. The castings shall be of uniform wall thickness with no warping or mold shifting and shall be formed true to the original pattern with complete detail. The 4" square shaft shall be made of extruded aluminum and shall be circumferentially welded to a cast aluminum base plate.

Mounting

The pole shall be supplied with a sturdy steel template and with three hot dipped galvanized 3/4" x 24" long "L" type anchor bolts with two nuts and two washers each. These will install on 11-1/2" bolt circle with anchor bolts extending 3" above the ground level (HCI, Ltd. neither designs nor recommends concrete footing size). A 3"x5" maintenance opening is located at 12" to center from the bottom of the pole.

Dimensions

The pole shall be "XX" (specify height in in feet) in height. The base shall be 15" square and 30" high.

Color and Options

There are five standard RAL colors to choose from: Black 9011, Green 6005, Bronze 8019, Grey 7012 and White 9016. Custom colors are available for an upcharge. A variety of options is available. For more information please see the *Finishes* and *Options* sections.

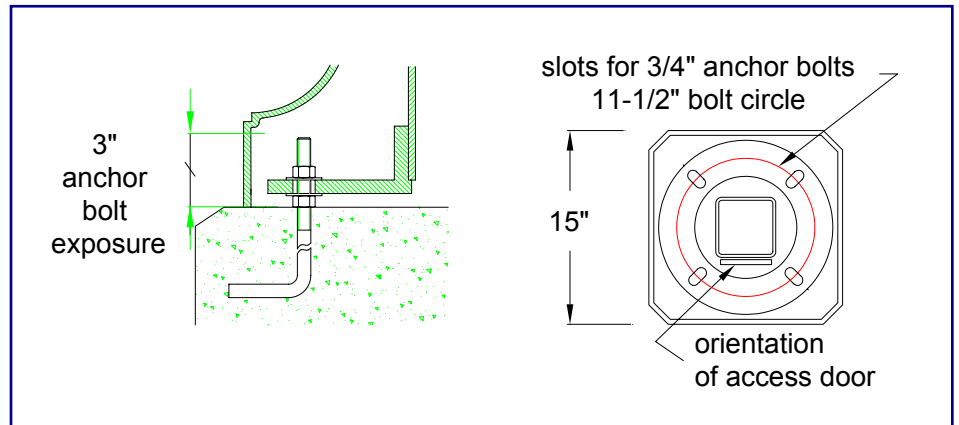
Finish

Electrostatically applied polyester powder coat with a four-step corrosion inhibiting process.

Options

- SRT single receptacle
- DRT double receptacle
- GFI GFI receptacle
- BA1-BM single bolt-on 24"L banner arm
- BA1-CM single clamp-on 24"L banner arm
- BA1H-BM single bolt-on 24"L banner arm with hog ring
- BA1H-CM single clamp-on 24"L banner arm with hog ring
- BA1-BBM single bolt-on break-away 24"L banner arm
- BA1H-BBM single bolt-on break-away 24"L banner arm with hog ring
- SS1-CM single clamp-on street sign

HCI, Ltd. neither designs nor recommends concrete footing size.



Ordering Sequence Example:

Luminaire	Fitter	Diffuser	Light Source	Voltage	Optical System	Arm	Configuration	Pole	Finish	Options
F162-L	J	CPC	100MH	120V	SR-3	—	—	P460-4Q-12	RAL9011	BA1-CM