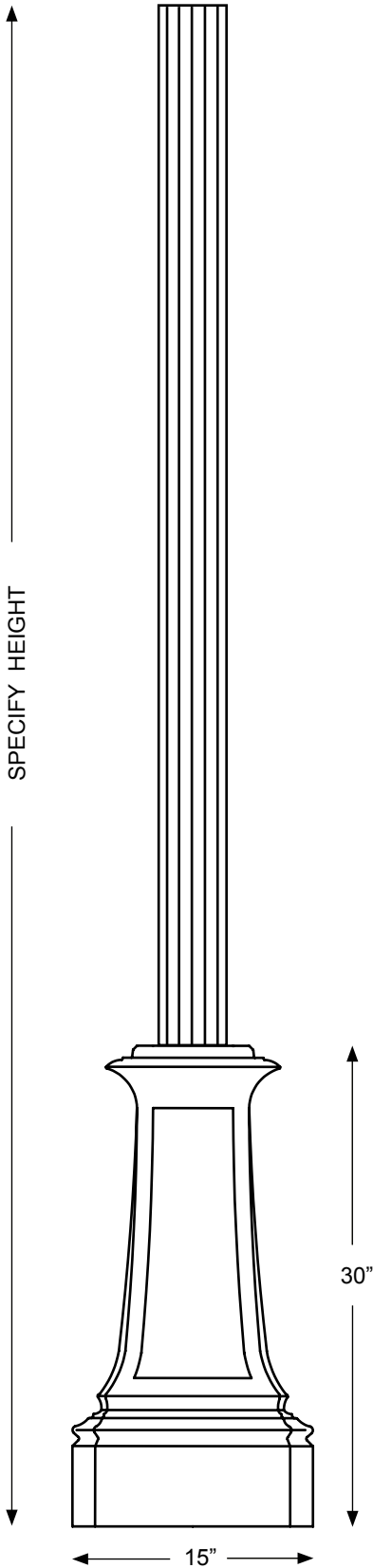




(800) 267-3175 (905) 238-2648 fax (905) 238-9060
 1280 Fewster Dr Mississauga ON L4W 1A4 Canada
 Email sales@hclighting.com WEB www.hclighting.com



Description

The pole shall consist of a clam-shell base cover and a shaft. The base cover shall be made from a two-piece casting secured to the pole shaft with four s/s tamper resistant screws. The base shall be square in shape. The castings shall be of uniform wall thickness with no warping or mold shifting and shall be formed true to the original pattern with complete detail. The 5" round fluted shaft shall be made of extruded aluminum with 12 flutes and shall be circumferentially welded to a cast aluminum base plate.

Color and Options

There are five standard RAL colors to choose from: Black 9011, Green 6005, Bronze 8019, Grey 7012 and White 9016. Custom colors are available for an upcharge. A variety of options is available. For more information please see the *Finishes* and *Options* sections.

Mounting

The pole shall be supplied with a sturdy steel template and with three hot dipped galvanized 3/4" x 24" long "L" type anchor bolts with two nuts and two washers each. These will install on 11-1/2" bolt circle with anchor bolts extending 3" above the ground level (HCI, Ltd. neither designs nor recommends concrete footing size). A 3"x5" maintenance opening is located at 12" to center from the bottom of the pole.

Finish

Electrostatically applied polyester powder coat with a four-step corrosion inhibiting process.

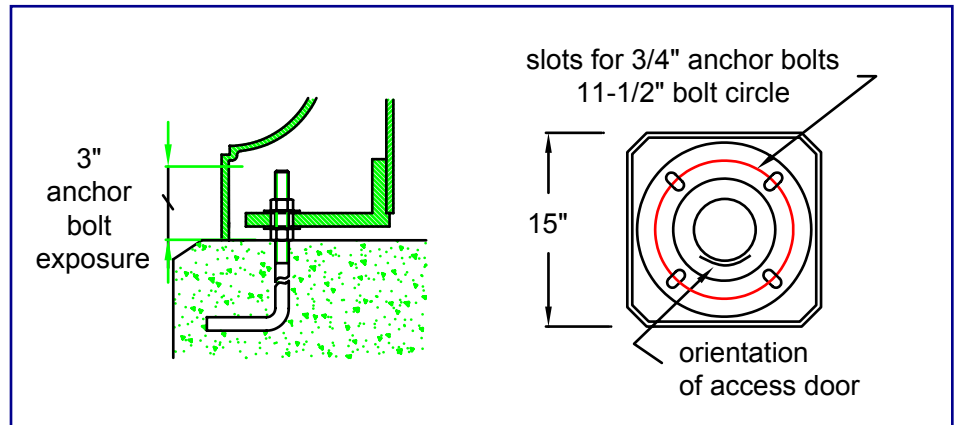
Options

- SRT single receptacle
- DRT double receptacle
- GFI GFI receptacle
- BA1-BM single bolt-on 24"L banner arm
- BA1-CM single clamp-on 24"L banner arm
- BA1H-BM single bolt-on 24"L banner arm with hog ring
- BA1H-CM single clamp-on 24"L banner arm with hog ring
- BA1-BBM single bolt-on break-away 24"L banner arm
- BA1H-BBM single bolt-on break-away 24"L banner arm with hog ring
- SS1-CM single clamp-on street sign

Dimensions

The pole shall be "XX" (specify height in feet) in height. The base shall be 15" square and 30" high.

HCI, Ltd. neither designs nor recommends concrete footing size.



Ordering Sequence Example:

| Luminaire | Fitter | Diffuser | Light Source | Voltage | Optical System | Arm | Configuration | Pole | Finish | Options |
|-----------|--------|----------|--------------|---------|----------------|-----|---------------|------------|---------|---------|
| F162-L | J | CPC | 100MH | 120V | SR-3 | — | — | P460-5F-12 | RAL9011 | BA1-CM |