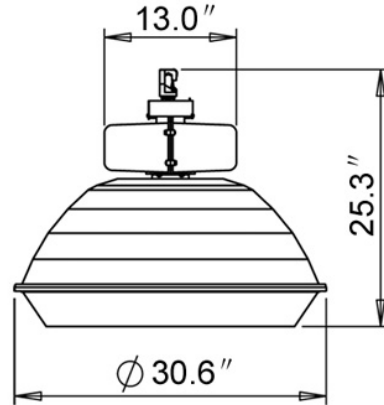


Indoor Lighting-Low Bay

HLB-D30-1000



Applications

- Retail stores, supermarkets, warehouses, large factories, and other industrial applications,
- Mounting Height: 10 ~ 25 ft.

Specification Features

- Enclosed Housing
- Die-cast aluminum ballast housing with polyester powder white paint finish
- UV stabilized molded acrylic prismatic reflector
- Mogul base socket standard
- Quick disconnect wiring system allows for easy ballast maintenances
- IP 54
- Hook mounting adapter or 1" threaded pipe (not included) for easy installation
- 55C ambient temperature
- Max. wattage 1000W Metal Halide or Pulse Start system for metal halide available
- Ballast and Optical shipped as components

Product Ordering Number

| HLB-D30-1000 - 1000 - MH - 120 - QT - H - RAL9016 | | | | | | |
|--|--------------------------|---|--|--|---|--|
| Product family name | Lamp wattage: - 1000W | Light source: MH-Metal halide PSMH-Pulse start metal halide LED & Induction lamp available* | Wired voltage: - 120V - 208V - 240V - 277V - 347V - 480V | QT: 120/208/ 240/277 TT: 120/277/ 347 | Mounting adapter: H-hook P-1" pipe not included | Painting color: White for ballast housing |

* Check with our sales department