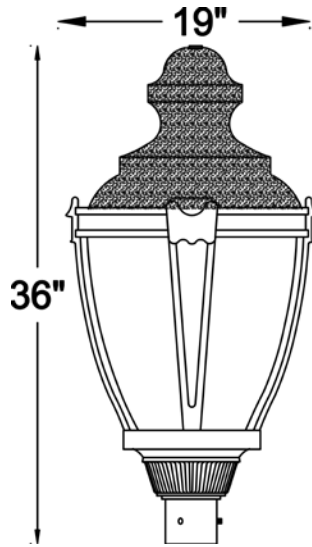


ACORN LUMINAIRES: F360 (SAN REMO)



F360-L
Weight: 25 lbs.
EPA: 2.4 sq. ft.
Size: 19" W x 36" H



Specification Features

- Ornamental heavy gauge cast aluminum base
- Quick disconnect ballast system mounted on removable plate
- Integrated button photocell optional
- Suitable for wet locations
- Variety finials optional (see page 3)
- E39 mogul base or E26 medium base optional
- Powder coated finish

Product Ordering Number

SIZE	FITTER STYLE	DIFFUSER TYPE	LIGHT SOURCE	VOLTAGE	OPTICS	FINIAL	OPTIONS	COLOR
F360-L	A-11" H B-8" H C-14" H D-8" H E-9-1/2" H F-10/12" H G-14" H H-19" H I-9-1/2" H K-11" H L-13-1/4" H R-11-1/3" H Q-11" H T-7-3/4" H	FAC Frosted (stippled) acrylic EPC External prismatic polycarbonate	Up to 250 MH Options: Pulse start ballast Up to 250 HPS 55, 85, 165 with Philips [®] QL ¹ CFL Fluorescent INC Incandescent LED Please contact HCI sales	QT (Quad tap 120, 208, 240, 277) TT (Tri tap 120, 277, 347) 120V Single 480 Single Please indicate voltage. If not specified factory will pre-wire at default 120v.	SR Rd way type segmented cutoff reflector IES III or V GR Glass refractor IES type III or V BL Bare lamp suggested with white diffusers	FA FB FC FD FE FF FG FH FI FJ NONE	FUS Internal fusing PCB Luminaire integrated button type photocell PEC Luminaire integrated q locking photocell ² HSS House side shield UPL Clear top for uplight	Black RAL 9011 GREEN RAL 6005 BRONZE RAL 8019 GREY RAL 7012 WHITE RAL 9016 CUSTOM

NOTES

¹ QL is available in 120V or 240V for 55W and 85W systems. Please specify. ² Available with fitter "A" and "L" only.