

F214 LED Series Post Top



Description

- Ornamental heavy gauge cast aluminum base
- Quick disconnect ballast system mounted on removable plate
- Integrated button photocell optional
- Suitable for wet locations
- Powder coated finish

Specification

Housing

Made from heavy duty cast aluminum to withstand harsh weather.

Hardware

All exposed hardware is made of durable stainless steel, with industrial strength seals.

Interior Design & Optical

Energy efficient LED driver is mounted on a removable plate, with quick disconnect wiring to allow easy driver maintenance.

L70 at 50,000 hours with CRI 70.

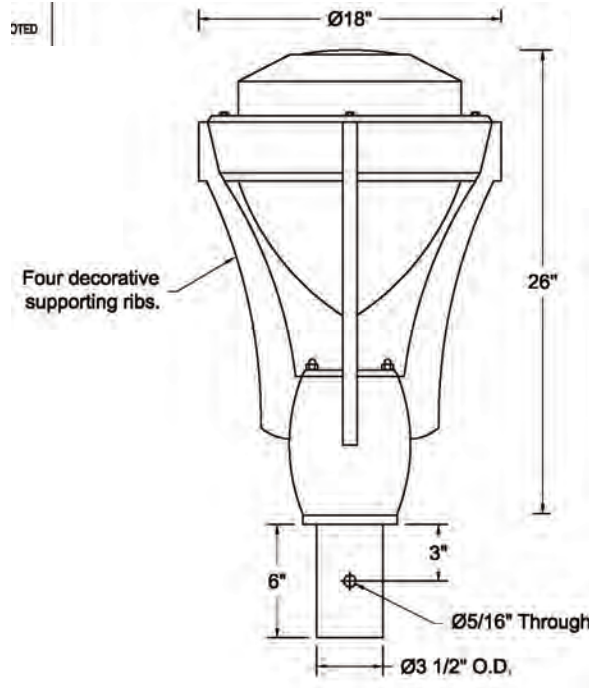
Exterior Design & Finish

Luminaire is designed to fit post top mounting or pendant mounting with our ornamental arms and poles, and is suitable for wet locations.

Finish is electrostatically applied with thermoset polyester powder-coat.



Dimensions



Product Ordering Number

PRODUCT	LUMENS	CCT	VOLTAGE	OPTICS	OPTIONS	FITTER	FINIALS
F214	Max 26,500 LUMENS	3000K 4000K 5000K 6000K =10% Variance	120v-277v Step down transformer 347V 480V	IES TYPE II (2) III (3) IV (4) V (5)	DIM Dimming control PCB Button type photocell HSS House side shield	N/A	N/A

DIFFUSER TYPE

- CAC** CLEAR ACRYLIC
- CPC** CLEAR POLYCARBONATE
- CTG** CLEAR TEMPERED GLASS
- FAC** FROSTED ACRYLIC
- FPC** FROSTED POLYCARBONATE
- WAC** WHITE ACRYLIC
- WPC** WHITE POLYCARBONATE

Color

- Standard RAL
- 6005 Green
- 7012 Grey
- 8019 Bronze
- 9011 Black/Txt
- 9016 White
- Custom RAL

