

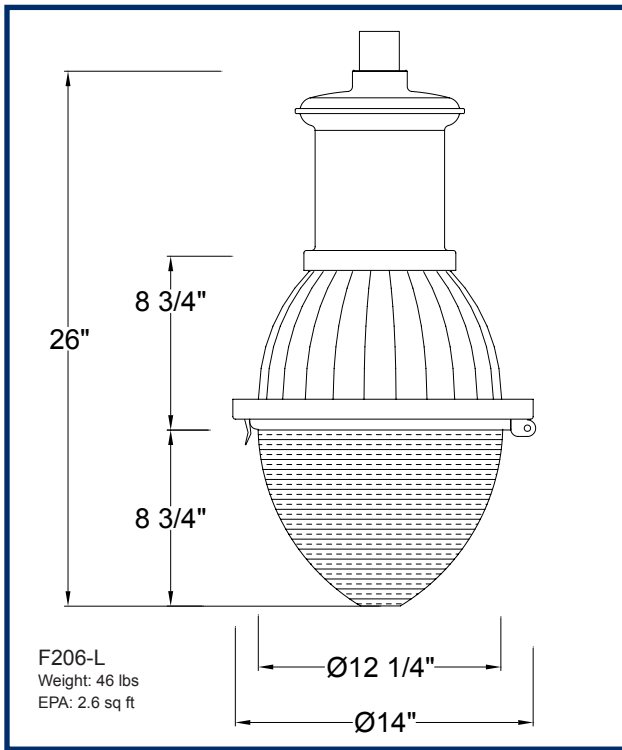
F206



HCI
Heritage Casting & Ironworks

1280 Fewster Drive
Mississauga ON L4W 1A4
sales@hclighting.com
www.hclighting.com
Fax (905) 238-9060

Toll-free (800) 267-3175 Tel. (905) 238-2648



Description. The **F206** Series luminaire shall consist of a cast aluminum ballast compartment, a hydroformed aluminum reflector and a refractive diffuser. The diffuser shall be secured to the gasketed luminaire body with a cast aluminum ring and shall feature a tool-free access via a spring-loaded latch. The ballast shall feature quick disconnect plugs for easy ballast maintenance. The ballast shall be factory wired, tested and mounted on a keyholed cast aluminum plate together with a 4kV porcelain socket. Lamps are not included and shall be supplied by others. All electrical components shall be UL listed and labeled.

Installation. The fixture shall be equipped with a 2"OD x 2"L tenon for installation on an arm. Order arm separately.

Finish. All applicable parts shall receive a standard electrostatically applied thermoset polyester powder coat smooth semi gloss finish with a four part corrosion inhibiting process.

To assemble a catalog number, list all codes sequentially.

JOB:

TYPE:

QTY:

SIZE

F206-L (14"W x 26"H)

DIFFUSER TYPE

EPC Prismatic Polycarbonate

EAC Prismatic Acrylic

LIGHT SOURCE

50 - 250 **MH** _____W

35 - 250 **HPS** _____W

CFL Fluorescent _____W

INC Incandescent _____W

VOLTAGE

QT (Quad Tap 120, 208, 240, 277)

TT (Tri Tap 120, 277, 347)

NOTE: Please circle connected voltage. If none is indicated, factory will pre-wire at highest voltage.

120V Reactor

480 Single

OPTICS

BL-3 bare lamp IES type III

BL-5 bare lamp IES type V

For photometry information contact the factory or your local sales representative.

OPTIONS

FUS internal fusing

PCB luminaire integrated button type photocell

HSS house side shield

COLOR

Black RAL 9011

Green RAL 6005

Bronze RAL 8019

Grey RAL 7012

White RAL 9016

Custom

