

F199 LED Series Pendant



Description

The F199 Series luminaire shall consist of an injection-molded UV prismatic diffuser and a spun aluminum shade assembly. The hinged refractive diffuser shall be secured with stainless steel hardware. The LED shall feature quick disconnect plugs for easy maintenance. The LED shall be factory wired, tested and mounted on a keyholed cast aluminum plate. All electrical components shall be UL listed and labeled.

Specification

Housing

Made from a spun aluminum to withstand harsh weather.

Hardware

All exposed hardware is made of durable stainless steel, with industrial strength seals.

Interior Design & Optical

Energy efficient LED driver is mounted on a removable plate, with quick disconnect wiring to allow easy driver maintenance. L70 at 50,000 hours with CRI 70.

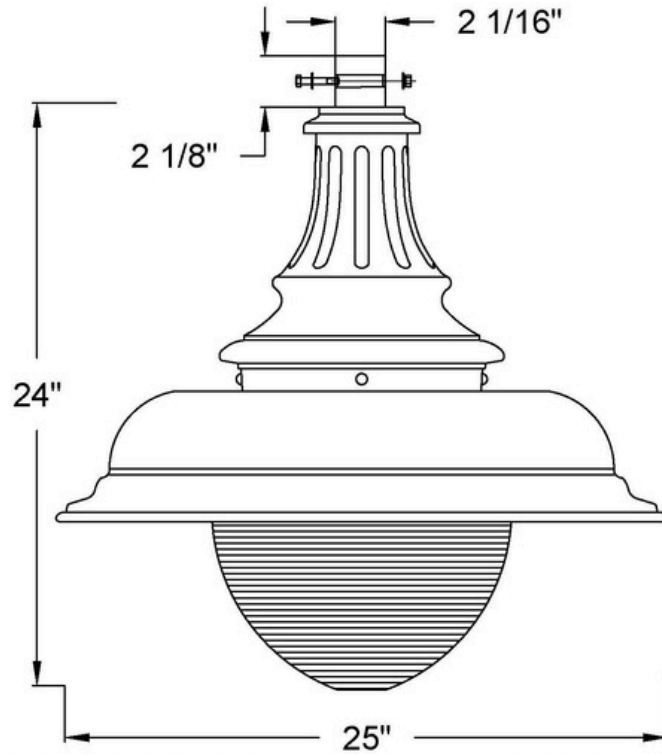
Exterior Design & Finish

The Luminaire is designed to fit post top mounting or pendant mounting with our ornamental arms and poles, and is suitable for wet locations.

Finish is electrostatically applied with thermoset polyester powder-coat.



Dimensions



Product Ordering Number

PRODUCT	LUMENS	CCT	VOLTAGES	OPTICS	OPTIONS	FITTER	FINIAL
F199	Max 9000	3000K 4000K 5000K 6000K	120v-277v Step down transformer 347V 480V	IES TYPE II (2) III (3) IV (4) V (5)	DIM Dimming control PCB Button type photo- cell HSS House side shield TWL Twist lock system	N/A	N/A

DIFFUSER TYPE

- EAC**- External Prismatic Acrylic
- EPC**- External Prismatic Pol
- CAC**-Clear acrylic
- FAC**-Frosted acrylic

Color

- Standard
- RAL
- 6005 Green
- 7012 Grey
- 8019 Bronze
- 9011
- Black/Txt
- 9016 White
- Custom RAL

