

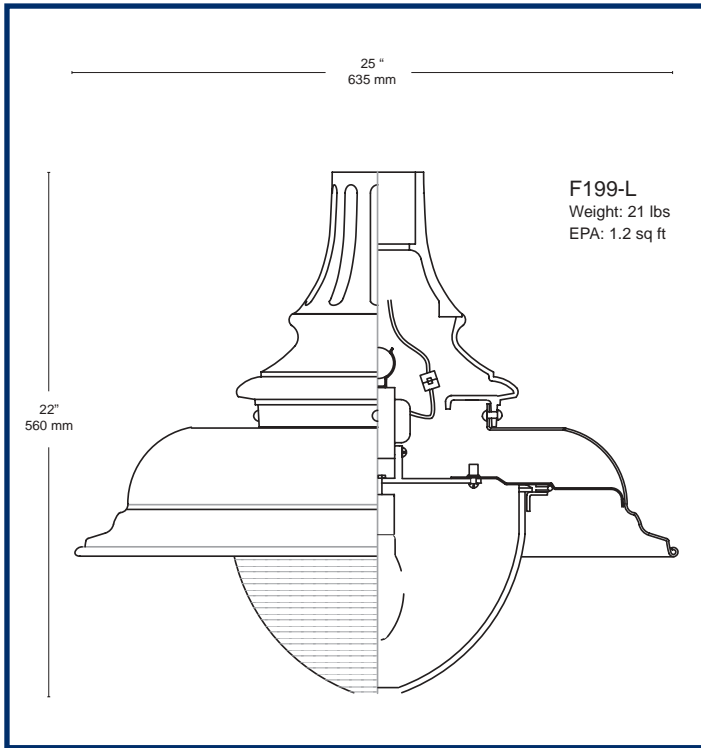
# F199 SERIES LUMINAIRE



**HCI**  
Heritage Casting & Ironworks

1280 Fewster Drive  
Mississauga ON L4W 1A4  
sales@hclighting.com  
www.hclighting.com  
Fax (905) 238-9060

Toll-free (800) 267-3175 Tel. (905) 238-2648



**Description.** The **F199** Series luminaire shall consist of an injection-molded prismatic diffuser, a spun aluminum shade assembly and a cast aluminum fitter (capital). The hinged refractive diffuser shall be secured with stainless steel hardware. The ballast shall feature quick disconnect plugs for easy ballast maintenance. The ballast shall be factory wired, tested and mounted on a keyholed cast aluminum plate together with a 4kV porcelain socket. Lamps are not included and shall be supplied by others. All electrical components shall be UL listed and labeled.

**Installation.** The fixture shall accept either a 3" OD or 4" OD tenon (please specify) and shall be secured to an arm with three hex socket screws spaced 120° apart and a security bolt. Order arm separately.

**Finish.** All applicable parts shall receive a standard electrostatically applied thermoset polyester powder coat smooth semi gloss finish with a four part corrosion inhibiting process.

To assemble a catalog number, list all codes sequentially.

## 1. SIZE

**F199-L** (25"W x 22"H)

## 2. DIFFUSER TYPE

**EAC** External Prismatic Acrylic

**EPC** External Prismatic Polycarbonate

## 3. LIGHT SOURCE (indicate wattage)

50 - 175 **MH** \_\_\_\_\_W

Option: pulse start ballast

35 - 150 **HPS** \_\_\_\_\_W

**CFL** Fluorescent \_\_\_\_\_W

**INC** Incandescent \_\_\_\_\_W

## 4. VOLTAGE

**QT** (Quad Tap 120, 208, 240, 277)

**TT** (Tri Tap 120, 277, 347)

**NOTE:** Please circle connected voltage. If none is indicated, factory will pre-wire at 120V.

**120V** Reactor

**480** Single

## 5. OPTICS

**BL** bare lamp (standard for this fixture, due to external prismatic optics)

IES type III

IES type V

For more information on optical systems, see *Options* section. Photometrics are also available in IES format - consult factory or your HCI sales representative.

## 6. OPTIONS

**FUS** internal fusing

**PCB** luminaire integrated button type photocell

**HSS** house side shield

## 7. COLOR

**Black** RAL 9011

**Green** RAL 6005

**Bronze** RAL 8019

**Grey** RAL 7012

**White** RAL 9016

**Custom**