

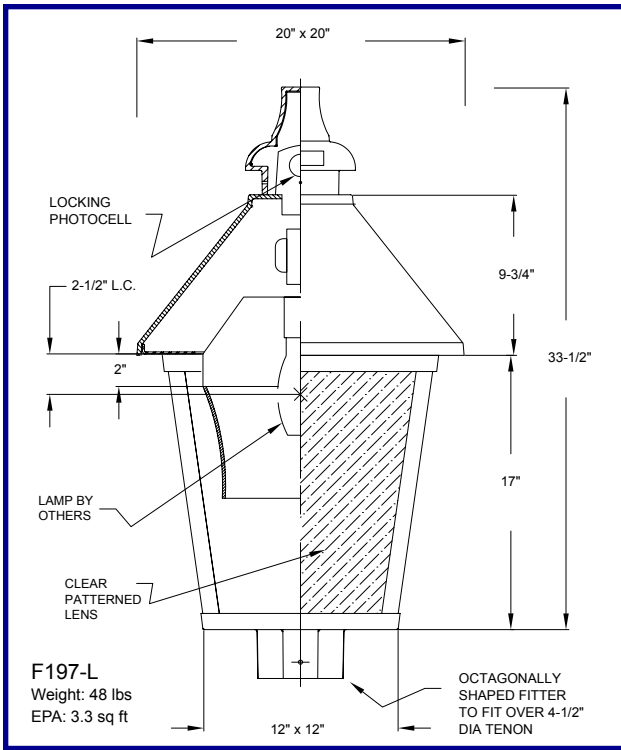
# F197



**HCI**  
Heritage Casting & Ironworks

1280 Fewster Drive  
Mississauga ON L4W 1A4  
sales@hcilighting.com  
www.hcilighting.com  
Fax (905) 238-9060

Toll-free (800) 267-3175 Tel. (905) 238-2648



**Description.** The F197 Series luminaire shall consist of a square cast aluminum hood assembly, four diffuser panels attached to an aluminum cage assembly and a ballast compartment. The ballast shall feature quick disconnect plugs for easy ballast maintenance. The ballast shall be factory wired, tested and mounted on a keyholed cast aluminum plate together with a 4kV porcelain socket. Lamps are not included and shall be supplied by others. All electrical components shall be UL listed and labeled.

**Installation.** The luminaire shall be equipped with an octagonal fitter to accept a 4-1/2" dia. tenon. The luminaire shall secure to the tenon with three s/s socket set screws.

**Finish.** All applicable parts shall receive a standard electrostatically applied thermoset polyester powder coat smooth semi gloss finish with a four part corrosion inhibiting process.

To assemble a catalog number, list all codes sequentially.

JOB:	TYPE:	QTY:
------	-------	------

## SIZE

F197-L (20"W x 33-1/2"H)

## DIFFUSER TYPE

- CPC Clear Polycarbonate
- FPC Frosted Polycarbonate
- WPC Opal White Polycarbonate
- CAC Clear Acrylic
- FAC Frosted Acrylic
- WAC Opal White Acrylic
- CTG Clear Tempered Glass

## LIGHT SOURCE

- 50 - 250 MH \_\_\_\_\_W
- 35 - 250 HPS \_\_\_\_\_W
- CFL Fluorescent \_\_\_\_\_W
- INC Incandescent \_\_\_\_\_W

## VOLTAGE

QT (Quad Tap 120, 208, 240, 277)

TT (Tri Tap 120, 277, 347)

**NOTE:** Please circle connected voltage. If none is indicated, factory will pre-wire at highest voltage.

120V Reactor

480 Single

## OPTICS

AR-3 acrylic refractor IES type III

AR-5 acrylic refractor IES type V

BL bare lamp (recommended with white diffusers only)

OC dual cone IES type V

For photometry information contact the factory or your local sales representative.

## OPTIONS

FUS internal fusing

PEC luminaire integrated locking photocell

HSS house side shield

## COLOR

Black RAL 9011

Green RAL 6005

Bronze RAL 8019

Grey RAL 7012

White RAL 9016

Custom

