

F177 LED Series Post Top



Description

The F177 Series luminaire shall consist of an injection-molded UV prismatic diffuser, a spun aluminum shade assembly, and a cast aluminum upper body. The diffuser shall be secured to the upper body with stainless steel hardware.

The LED shall feature quick disconnect plugs for easy maintenance. The LED shall be factory wired, tested and mounted on a keyholed cast aluminum plate. All electrical components shall be UL listed and labeled.

Specification

Housing

Made from heavy duty cast aluminum to withstand harsh weather.

Hardware

All exposed hardware is made of durable stainless steel, with industrial strength seals.

Interior Design & Optical

Energy efficient LED driver is mounted on a removable plate, with quick disconnect wiring to allow easy driver maintenance.

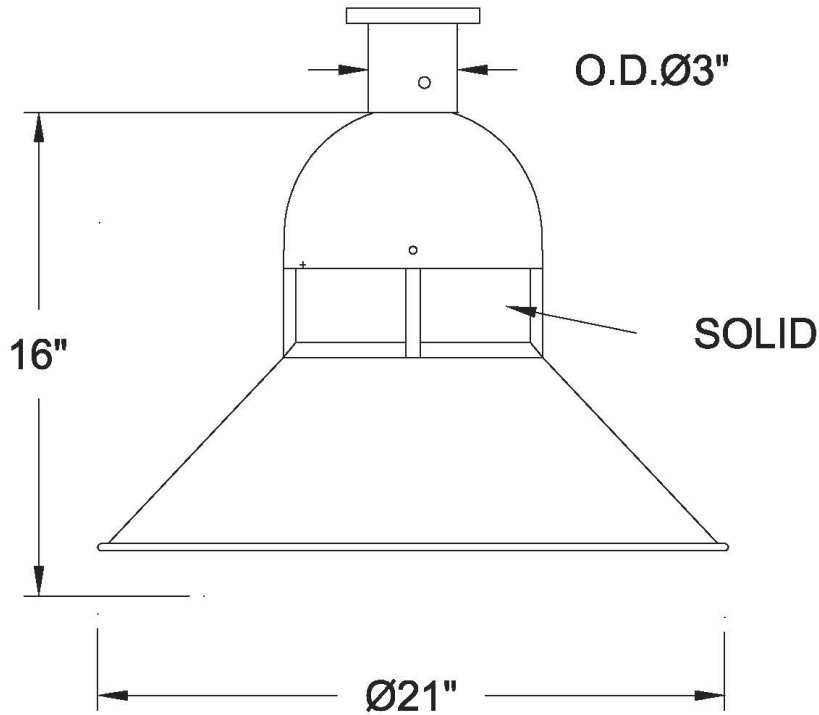
L70 at 50,000 hours with CRI 70.

Exterior Design & Finish

Luminaire is designed to fit post top mounting or pendant mounting with our ornamental arms and poles, and is suitable for wet locations. Finish is electrostatically applied with thermoset polyester powder-coat.



Dimensions



Product Ordering Number

PRODUCT	LUMENS	CCT	VOLTAGE	OPTICS	OPTIONS	FITTER	FINIALS
F177	Max 12,600 LUMENS	3000K 4000K 5000K 6000K =10% Variance	120v-277v Step down transformer 347V 480V	IES TYPE II (2) III (3) IV (4) V (5)	DIM Dimming control PCB Button type photocell HSS House side shield TWL Twist lock system	N/A	N/A

DIFFUSER TYPE

CAC CLEAR ACRYLIC
FAC FROSTED ACRYLIC

Color

Standard RAL
6005 Green
7012 Grey
8019 Bronze
9011 Black/Txt
9016 White
Custom RAL

