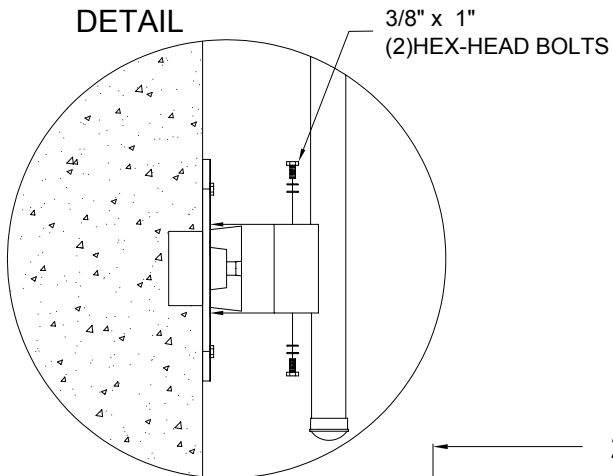


ARM MOUNTING DETAIL



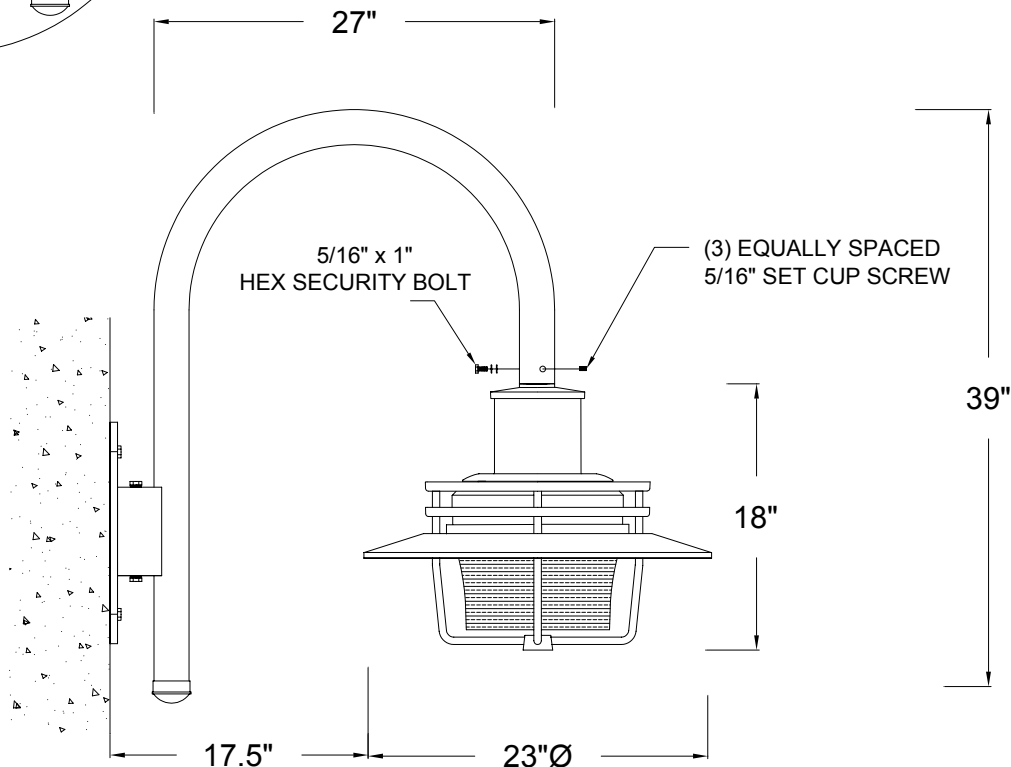
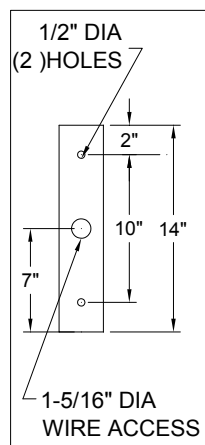
Please Note: Fabrication will not begin until this drawing is approved, signed and returned to HCI

- APPROVED
 APPROVED AS NOTED
 REJECTED
 REVISE AND RESUBMIT

By _____

Date _____

WALL PLATE DETAIL



(C) 2001 HCI (Heritage Casting & Ironworks). Illustrations are copyrighted. Unauthorized reproduction prohibited. In an ongoing effort to improve quality/design, Heritage reserves the right to modify specifications without notice.

Diffuser Holder: Cast aluminum. Quarter-turn twist-lock system with security screw provides fast and easy access to lamp and ballast.

Hardware: Stainless steel.

Ballast: MH high powerfactor, mounted on a removable plate. A quick disconnect wiring system allows for fast, easy ballast maintenance. (lamp by others)

Wattage: 175W

Voltage : 347V

Socket : Medium, 4KV porcelain

Optical System: Prismatic polycarbonate refractor.

Light Distribution: IES type III

Decorative Guard: Made of cast aluminum and is of part of the diffuser holder.

Louver Material: Made of 3mm (1/8") spun aluminum c/w secondary louver underneath painted reflective white.

Arm Configuration: WS

Arm: Made of 60mm(2-3/8")O.D. by 4mm(5/32") TH aluminum tube.

Wall Plate Material: Aluminum Flat Bar 76mm(3")W by 13mm(1/2")TH

Finish: Electrostatically applied thermoset polyester powder with the XL4 four part corrosion inhibiting process.

Colour: Pure orange RAL # 2004

Approval Drawing

Luminaire: F176-L / A359-WS

Date: Aug.21, 2003 Drawing No: 4380
Model: F176-L-PPC-175MH-347V-BR-3-A359-WS-
-RAL2004

Project: TOTEM LUMBER

Please Note: Fabrication will not begin until this drawing is approved, signed and returned to HCI



1280 Fewster Drive, Mississauga, Ontario, Canada L4W 1A4
Tel: (905) 238-2648 Fax: (905) 238-9060
Toll Free Canada & USA 1-800-267-3175
E: sales@hclighting.com WEB: www.hclighting.com