

F151 LED Series Post Top



Description

- The F151 Series luminaire shall consist of a cast aluminum hood assembly, an aluminum cage, a multi-panel diffuser, an internal optical system and a slip fitter (capital).
- The hinged hood equipped with a cast aluminum finial, shall rest on the aluminum cage, which shall consist of six diffuser panels, cast aluminum struts and a cast aluminum ring.
- The cage shall be welded to a cast aluminum fitter. An internal LED assembly shall feature quick disconnect plugs for easy maintenance.

Specification

Housing

Made from heavy duty cast aluminum to withstand harsh weather.

Hardware

All exposed hardware is made of durable stainless steel, with industrial strength seals.

Interior Design & Optical

Energy efficient LED driver is mounted on a removable plate, with quick disconnect wiring to allow easy driver maintenance.

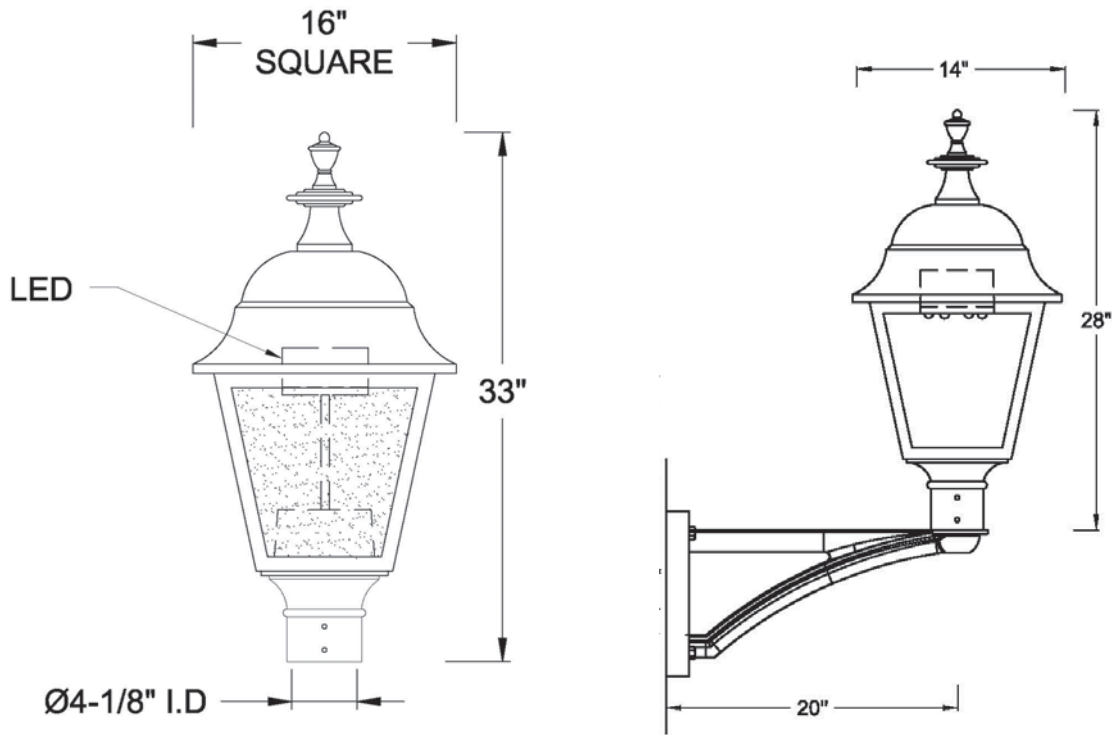
L70 at 50,000 hours with CRI 70.

Exterior Design & Finish

Luminaire is designed to fit post top mounting or pendant mounting with our ornamental arms and poles, and is suitable for wet locations. Finish is electrostatically applied with thermoset polyester powder-coat.



Dimension



Product Ordering Number

PRODUCT	LUMENS	CCT	VOLTAGE	OPTICS	OPTIONS	FITTER	FINIALS
F151	Max 12,600 LUMENS	3000K 4000K 5000K 6000K =10% Variance	120v-277v Step down transformer 347V 480V	IES TYPE II (2) III (3) IV (4) V (5)	DIM Dimming control PCB Button type photocell HSS House side shield TWL Twist lock system	A, B C, D E, F G, H I, J K, L M, Q R, T U	FA FB FC FD FE FF FG FH FI FJ

DIFFUSER TYPE

CAC CLEAR ACRYLIC
FAC FROSTED ACRYLIC

Color

Standard RAL
6005 Green
7012 Grey
8019 Bronze
9011 Black/Txt
9016 White
Custom RAL

