

F148 LED Series Post Top



Description

The F148 Series luminaire shall consist of a paneled diffuser, a cast aluminum body and an internal optical system. The hinged diffuser shall be secured with stainless steel hardware.

Finish is electrostatically applied with thermoset polyester powder-coat.

Specification

Housing

Made from heavy duty cast aluminum to withstand harsh weather.

Hardware

All exposed hardware is made of durable stainless steel, with industrial strength seals.

Interior Design & Optical

Energy efficient LED driver is mounted on a removable plate, with quick disconnect wiring to allow easy driver maintenance.

L70 at 50,000 hours with $CRI \geq 70$.

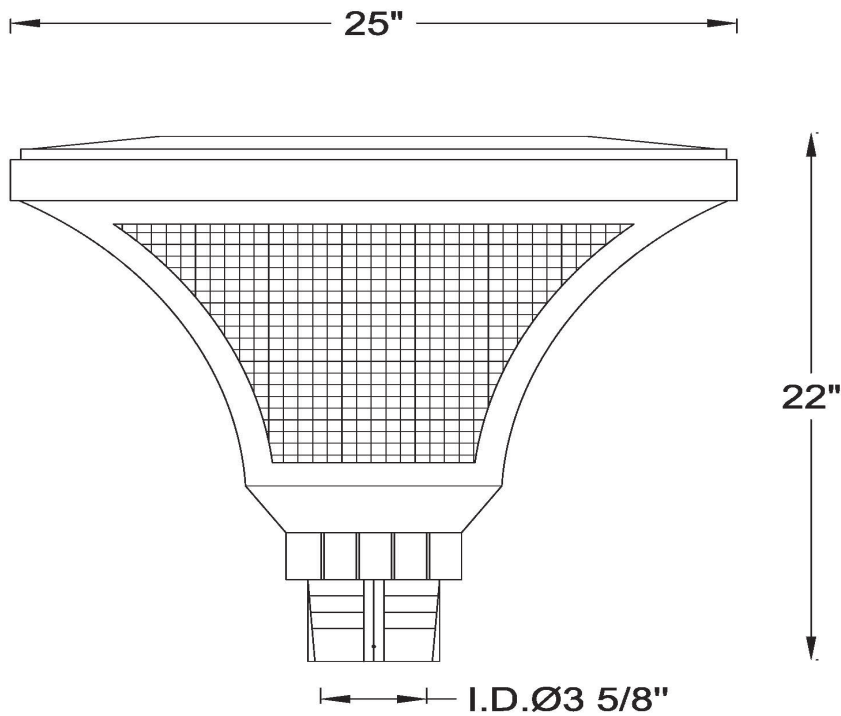
Exterior Design & Finish

Luminaire is designed to fit post top mounting or pendant mounting with our ornamental arms and poles, and is suitable for wet locations.

Finish is electrostatically applied with thermoset polyester powder-coat.



Dimensions



Product Ordering Number

PRODUCT	LUMENS	CCT	VOLTAGE	OPTICS	OPTIONS	FITTER	FINIALS
F148	Max 12600LMS	3000K 4000K 5000K 6000K =10% Variance	120v-277v Step down transformer 347V 480V	IES TYPE II (2) III (3) IV (4) V (5)	DIM Dimming control PCB Button type photo- cell HSS House side shield TWL Twist lock system	N/A	N/A

DIFFUSER TYPE

Prismatic

Color

Standard RAL
6005 Green
7012 Grey
8019 Bronze
9011 Black/Txt
9016 White

Custom RAL

