

## F132 LED Series Post Top



### Description

- Die-cast aluminum and spun housing for strength, elegance, and simple maintenance;
- Acrylic U.V. stabilized clear cylinder diffuser;
- Concealed gasket seals against insects, dust and moisture, IP 55;
- High power factor ballast with quick disconnect wiring system for easy maintenance;
- Medium and mogul base sockets optional;
- 70w to 250w PSMH and HPS lamp or QL/ICETRON or LED lamp operations;
- Quartz Restrike emergency lamp optional;
- IES type V;
- Electrostatically applied thermoset polyester powder-coated finish.

### Specification

#### Housing

Made from heavy duty cast aluminum to withstand harsh weather.

#### Hardware

All exposed hardware is made of durable stainless steel, with industrial strength seals.

#### Interior Design & Optical

Energy efficient LED driver is mounted on a removable plate, with quick disconnect wiring to allow easy driver maintenance.

L70 at 50,000 hours with CRI 70.

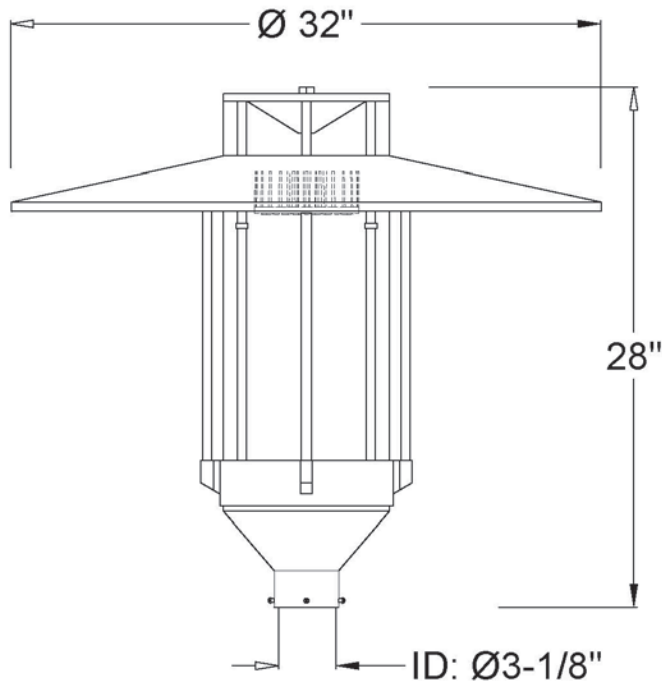
#### Exterior Design & Finish

Luminaire is designed to fit post top mounting or pendant mounting with our ornamental arms and poles, and is suitable for wet locations.

Finish is electrostatically applied with thermoset polyester powder-coat.



### Dimensions



### Product Ordering Number

PRODUCT	LUMENS	CCT	VOLTAGE	OPTICS	OPTIONS	FITTER	FINIALS
F132	Max 9,450 LUMENS	3000K 4000K 5000K 6000K  =10% Variance	120v-277v  Step down transformer 347V 480V	IES TYPE II (2) III (3) IV (4) V (5)	<b>DIM</b> Dimming control <b>PCB</b> Button type photocell <b>HSS</b> House side shield <b>TWL</b> Twist lock system	N/A	N/A

#### DIFFUSER TYPE

**CAC** Clear Acrylic  
**FAC** Frosted Acrylic

#### Color

Standard RAL  
 6005 Green  
 7012 Grey  
 8019 Bronze  
 9011 Black/Txt  
 9016 White  
 Custom RAL

