

## F125 LED Series Post Top



### Description

The F125 Series luminaire shall consist of an injection molded UV stabilized globe, a cast aluminum cage, an internal optical system and a mechanically fastened slip fitter. The cage shall consist of eight sturts and a ring jig-welded together. The cage shall be welded to the fitter. The globe shall be secured to the gasketed fitter with stainless steel hardware. The fitter shall house a ballast assembly. The LED shall feature quick disconnect plugs for easy maintenance. The LED shall be factory wired, tested and mounted on a keyholed cast aluminum plate. All electrical components shall be UL listed and labeled.

### Specification

#### Housing

Made from heavy duty cast aluminum to withstand harsh weather.

#### Hardware

All exposed hardware is made of durable stainless steel, with industrial strength seals.

#### Interior Design & Optical

Energy efficient LED driver is mounted on a removable plate, with quick disconnect wiring to allow easy driver maintenance.

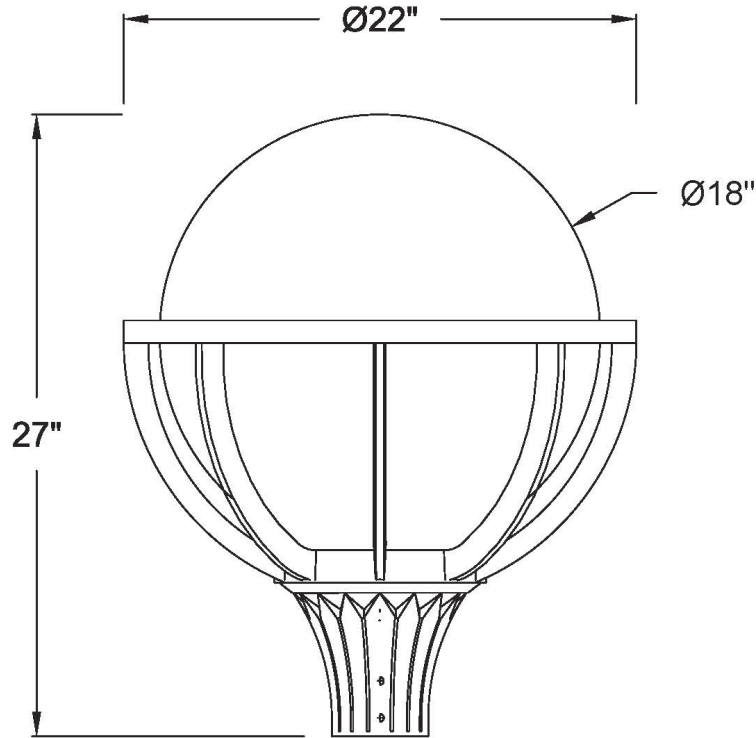
L70 at 50,000 hours with CRI  $\geq 70$ .

#### Exterior Design & Finish

Luminaire is designed to fit post top mounting or pendant mounting with our ornamental arms and poles, and is suitable for wet locations. Finish is electrostatically applied with thermoset polyester powder-coat.



Dimensions



Product Ordering Number

PRODUCT	LUMENS	CCT	VOLTAGE	OPTICS	OPTIONS	FITTER	FINIALS
F125	Max Small strip-2000- Module-6300 Large strip-4400 Mod- ule-12600 LUMENS	3000K 4000K 5000K 6000K =10% Variance	120v-277v  Step down transformer 347V 480V	IES TYPE II (2) III (3) IV (4) V (5)	<b>DIM</b> Dimming control <b>PCB</b> Button type photocell <b>HSS</b> House side shield	A, B C, D E, F G, H I, J K, L M, Q R, T U	N/A

**DIFFUSER TYPE**

- CAC** 4lear acrylic
- FAC** Frosted acrylic
- WAC** White acrylic
- BAC** Bronze acrylic
- CPC** 4lear polycarbonate
- WPC** White polycarbonate
- BPC** Bronze Polycarbonate
- EAC** External prismatic acrylic
- SMAC** Smoky acrylic

**Color**

- Standard RAL
- 6005 Green
- 7012 Grey
- 8019 Bronze
- 9011 Black/Txt
- 9016 White
- Custom RAL

