

F116 LED Series Post Top



Description

The F116 Series luminaire shall consist of an injection-molded UV stabilized acorn-diffuser with external prismatic optics, a spun aluminum hood assembly, a cast aluminum cage and a mechanically fastened slip fitter (capital). The cage shall consist of four struts with decorative medallions with a flower motif and a ring all jig-welded together. The cage and the diffuser shall be secured to the cast aluminum fitter with stainless steel hardware. The fitter shall be made of cast aluminum and shall house a LED assembly. The LED shall feature quick disconnect plugs for easy maintenance. The LED shall be factory wired, tested and mounted on a keyholed cast aluminum plate.

Specification

Housing

Made from heavy duty cast aluminum to withstand harsh weather.

Hardware

All exposed hardware is made of durable stainless steel, with industrial strength seals.

Interior Design & Optical

Energy efficient LED driver is mounted on a removable plate, with quick disconnect wiring to allow easy driver maintenance.

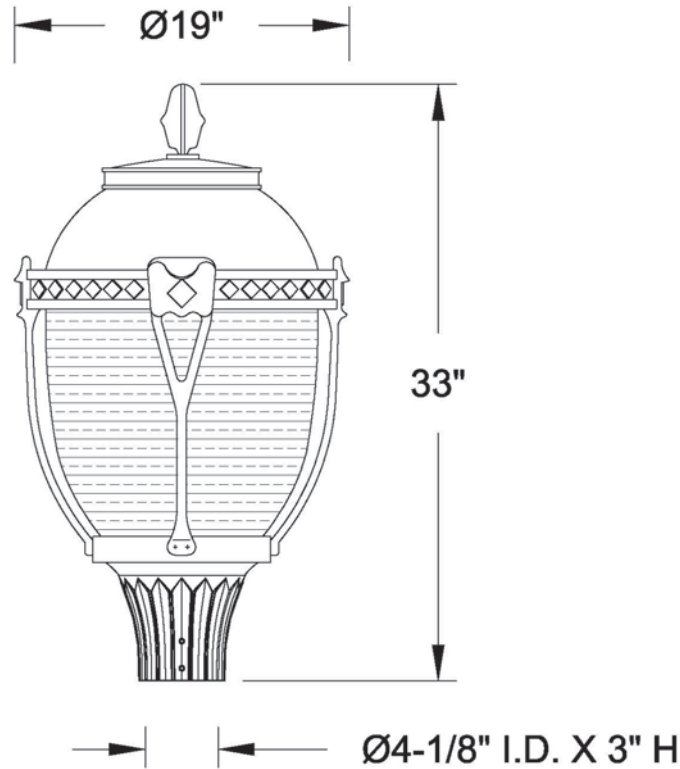
L70 at 50,000 hours with CRI 70.

Exterior Design & Finish

Luminaire is designed to fit post top mounting or pendant mounting with our ornamental arms and poles, and is suitable for wet locations. Finish is electrostatically applied with thermoset polyester powder-coat.



Dimensions



Product Ordering Number

PRODUCT	LUMENS	CCT	VOLTAGE	OPTICS	OPTIONS	FITTER	FINIALS
F116	Max 12,600 LUMENS	3000K 4000K 5000K 6000K =10% Variance	120v-277v Step down transformer 347V 480V	IES TYPE II (2) III (3) IV (4) V (5)	DIM Dimming control PCB Button type photocell HSS House side shield TWL Twist lock system	A, B C, D E, F G, H I, J K, L M, Q R, T U	FA FB FC FD FE FF FG FH FI FJ

DIFFUSER TYPE

Bottom only

- EAC** External prismatic acrylic
- EPC** External prismatic polycarb

Color

- Standard RAL
- 6005 Green
- 7012 Grey
- 8019 Bronze
- 9011 Black/Txt
- 9016 White
- Custom RAL

