

F109 LED Series Post Top



Description

The F109 Series luminaire shall consist of an injection molded UV stabilized acorn-shaped diffuser with prismatic optics and a mechanically fastened slip fitter (capital). The two-piece diffuser shall consist of an upper, frosted (stippled) UV stabilized polycarbonate section, a perforated aluminum light lid and a lower, UV stabilized prismatic acrylic or polycarbonate reflector. The upper and lower sections of the luminaire shall be riveted and siliconed together. The diffuser shall be secured to the gasketed fitter with stainless steel hardware. The fitter is made of cast aluminum and shall house an LED assembly. The LED shall feature quick disconnect plugs for easy maintenance.

Specification

Housing

Made from heavy duty cast aluminum to withstand harsh weather.

Hardware

All exposed hardware is made of durable stainless steel, with industrial strength seals.

Interior Design & Optical

Energy efficient LED driver is mounted on a removable plate, with quick disconnect wiring to allow easy driver maintenance.

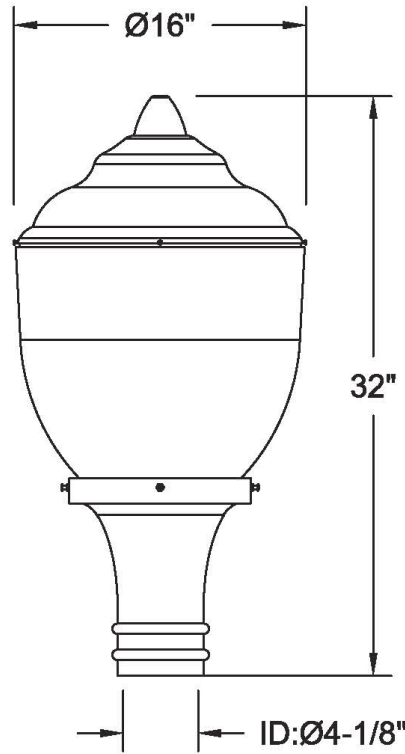
L70 at 50,000 hours with CRI ≥ 70 .

Exterior Design & Finish

Luminaire is designed to fit post top mounting or pendant mounting with our ornamental arms and poles, and is suitable for wet locations. Finish is electrostatically applied with thermoset polyester powder-coat.



Dimensions



Product Ordering Number

PRODUCT	LUMENS	CCT	VOLTAGE	OPTICS	OPTIONS	FITTER	FINIALS
F109	Max 15,700 LUMENS	3000K 4000K 5000K 6000K =10% Variance	120v-277v Step down transformer 347V 480V	IES TYPE II (2) III (3) IV (4) V (5)	DIM Dimming control PCB Button type photocell HSS House side shield TWL Twist lock system	A, B C, D E, F G, H I, J K, L M, Q R, T U	FA FB FC FD FE FF FG FH FI FJ

DIFFUSER TYPE

- TOP**
CACX Clear acrylic frosted
BOTTOM
EAC External prismatic acrylic
EPC External prismatic polycarb

Color

- Standard RAL
6005 Green
7012 Grey
8019 Bronze
9011 Black/Txt
9016 White
Custom RAL

