

F108 LED Series Post Top



Description

The F108 Series luminaire shall consist of an injection molded UV stabilized acorn-shaped diffuser with prismatic optics and a mechanically fastened slip fitter (capital). The two-piece diffuser shall consist of an upper, frosted (stippled) UV stabilized polycarbonate section, a perforated aluminum light lid and a lower, UV stabilized prismatic acrylic or polycarbonate reflector. The upper and lower sections of the luminaire shall be riveted and siliconed together. The diffuser shall be secured to the gasketed fitter with stainless steel hardware. The fitter shall be made of cast aluminum and shall house an LED assembly. The LED shall feature quick disconnect plugs for easy maintenance.

Specification

Housing

Made from heavy duty cast aluminum to withstand harsh weather.

Hardware

All exposed hardware is made of durable stainless steel, with industrial strength seals.

Interior Design & Optical

Energy efficient LED driver is mounted on a removable plate, with quick disconnect wiring to allow easy driver maintenance.

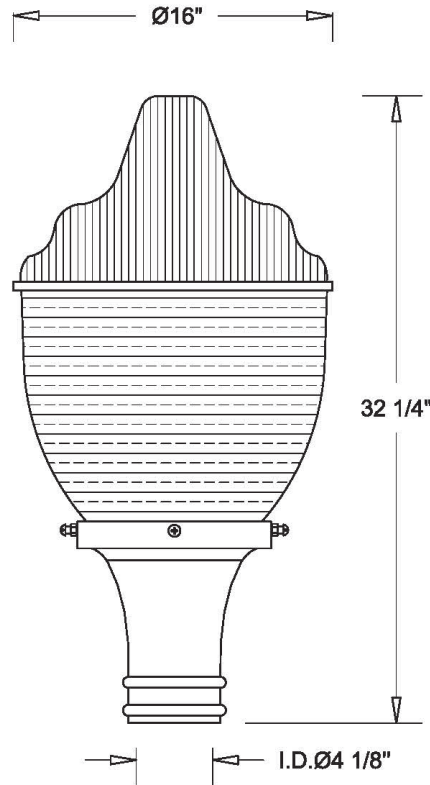
L70 at 50,000 hours with CRI ≥ 70 .

Exterior Design & Finish

Luminaire is designed to fit post top mounting or pendant mounting with our ornamental arms and poles, and is suitable for wet locations. Finish is electrostatically applied with thermoset polyester powder-coat.



Dimensions



Product Ordering Number

PRODUCT	LUMENS	CCT	VOLTAGE	OPTICS	OPTIONS	FITTER	FINIALS
F108	Max 15,750 LUMENS	3000K 4000K 5000K 6000K =10% Variance	120v-277v Step down transformer 347V 480V	IES TYPE II (2) III (3) IV (4) V (5)	DIM Dimming control PCB Button type photocell HSS House side shield TWL Twist lock system	A, B C, D E, F G, H I, J K, L M, Q R, T U	FA FB FC FD FE FF FG FH FI FJ

DIFFUSER TYPE

- EAC** External prismatic acrylic
- EPC** External prismatic polycarb

Color

- Standard RAL
- 6005 Green
- 7012 Grey
- 8019 Bronze
- 9011 Black/Txt
- 9016 White
- Custom RAL

