

F102 LED Series Post Top



Description

The F102 Series luminaire consists of an injection molded UV stabilized acorn-shaped diffuser, an internal optical system and a mechanically fastened slip fitter (capital). The diffuser shall be secured to the gasketed fitter with stainless steel hardware. The cast aluminum fitter shall house an LED assembly. The LED shall feature quick disconnect plugs for easy maintenance. The LED is factory wired, tested and mounted on a keyholed cast aluminum plate together. All electrical components shall be UL listed and labeled.

Specification

Housing

Made from heavy duty cast aluminum to withstand harsh weather.

Hardware

All exposed hardware is made of durable stainless steel, with industrial strength seals.

Interior Design & Optical

Energy efficient LED driver is mounted on a removable plate, with quick disconnect wiring to allow easy driver maintenance.

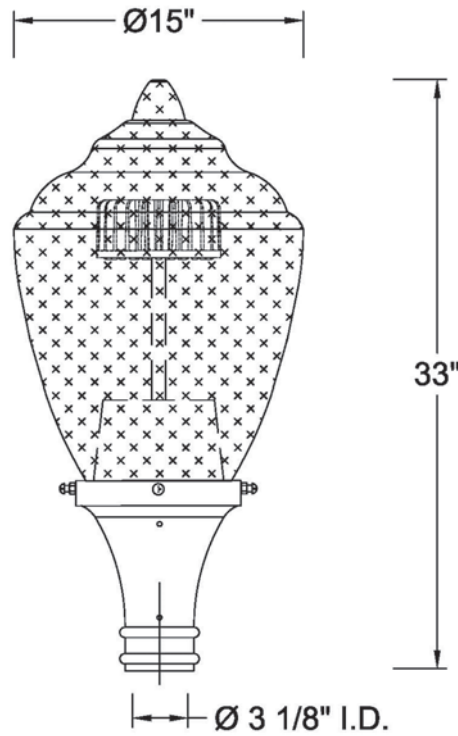
L70 at 50,000 hours with CRI ≥ 70 .

Exterior Design & Finish

Luminaire is designed to fit post top mounting or pendant mounting with our ornamental arms and poles, and is suitable for wet locations. Finish is electrostatically applied with thermoset polyester powder-coat.



Dimensions



Product Ordering Number

PRODUCT	LUMENS	CCT	VOLTAGE	OPTICS	OPTIONS	FITTER	FINIALS
F102	Large 14,000 Small 6300 LUMENS	3000K 4000K 5000K 6000K =10% Variance	120v-277v Step down transformer 347V 480V	IES TYPE II (2) III (3) IV (4) V (5)	DIM Dimming control PCB Button type photocell HSS House side shield TWL Twist lock system	A, B C, D E, F G, H I, J K, L M, Q R, T U	FA FB FC FD FE FF FG FH FI FJ

DIFFUSER TYPE

- CACX** Clear Arylic textured
- FACX** Frosted Acrylic textured
- WACX** White Acrylic textured
- CPCX** Clear Polycarb textured
- Small
- WPEX** White Polyethylene textured

Color

- Standard RAL
- 6005 Green
- 7012 Grey
- 8019 Bronze
- 9011 Black/Txt
- 9016 White
- Custom RAL

