

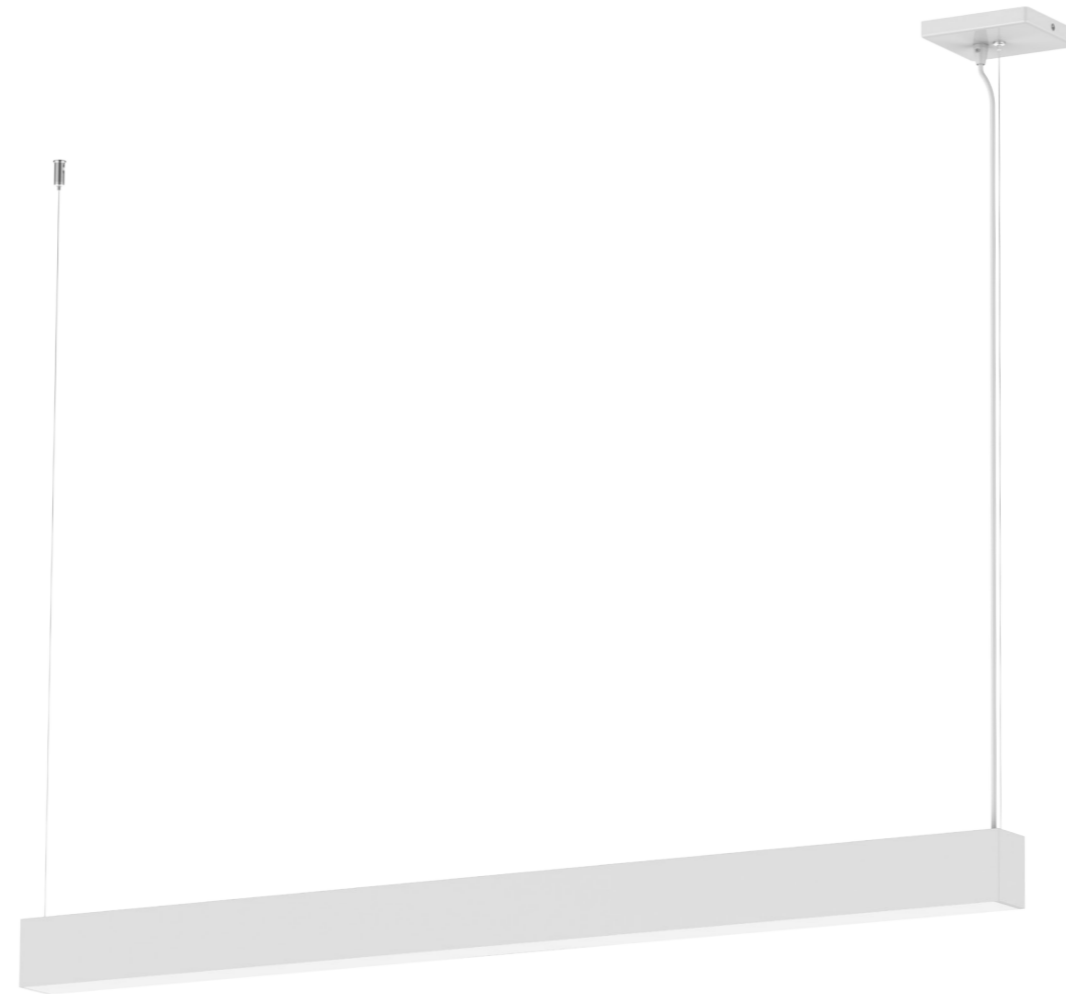
Entry / ECO

Standard / STD

Professional / PRO

ODM & OEM

Intelligent / INT



LED Batten
DB77A Series



Introduction

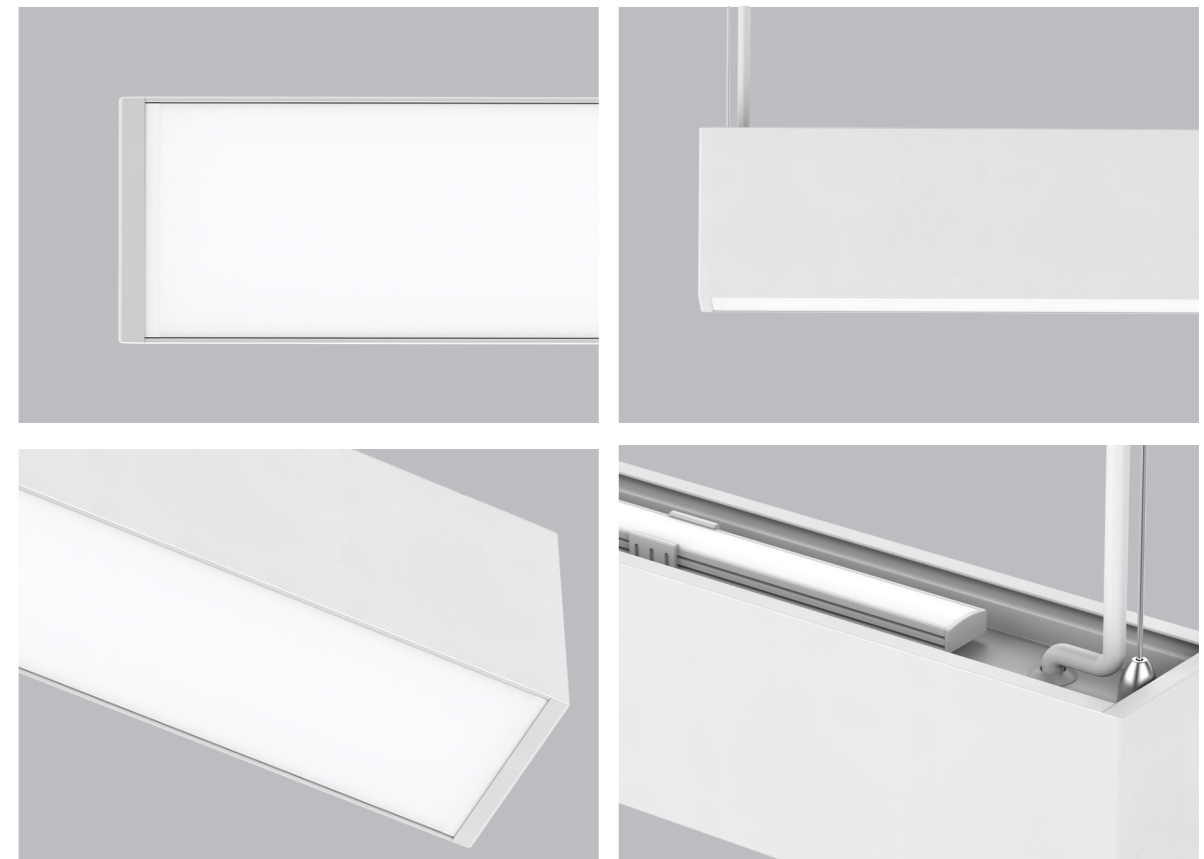
This linear fixture is a seamless splicing design, two lamp cover options: Standard cover and DIY soft cover. Adopt high lumen SMD light source, flicker free and high efficiency driver make a better lumen. Aluminum housing provides an excellent thermal management. Lighting design: Down lighting, up&down lighting, adjustable CCT, 0-10V dim. Mounting design: Suspended/surface/Wall mounting options.

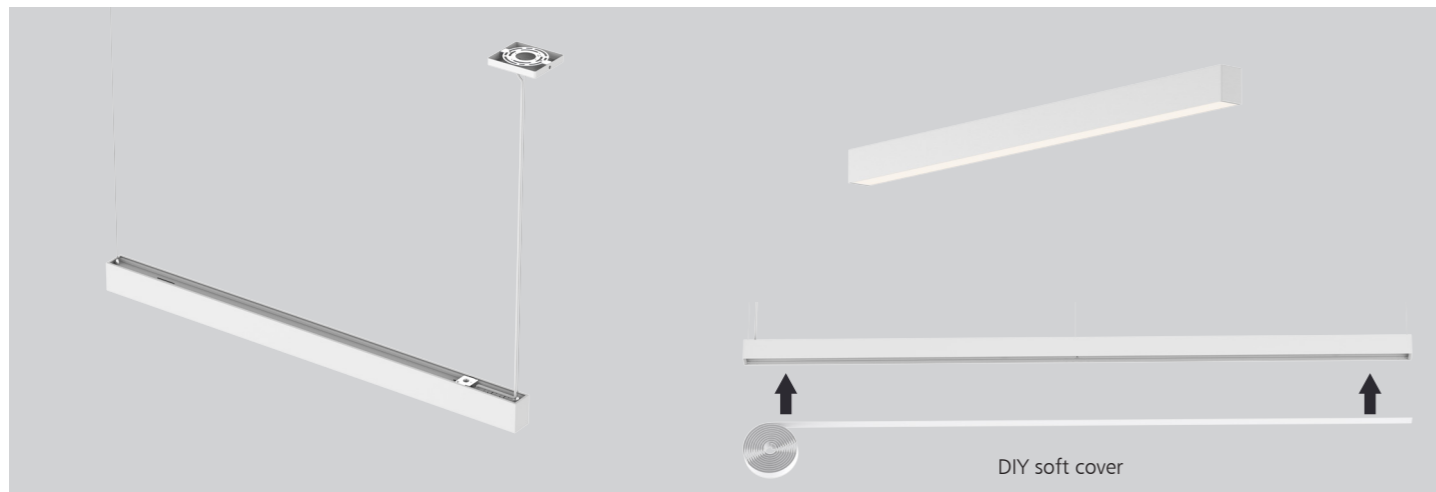
Features

- Seamless splicing design, standard cover only for one fixture, DIY soft cover can be cut by users after splicing several fixtures.
- Strong structure design, aluminum housing provides a great thermal management.
- LED source invisible, makes the even light output, CRI>80.
- Integrated 0-10V dim driver share great popularity by excellent dimming effect
- 3CCT adjustable 3000K+4000K+5000K.
- Unique and fashion design, with easy installation and maintenance.
- High-quality optical design, both upward ambient lighting, but also down the main lighting.
- With Straight shape/'L' shape/'+' shape/'T' shape connectors.

Application Areas

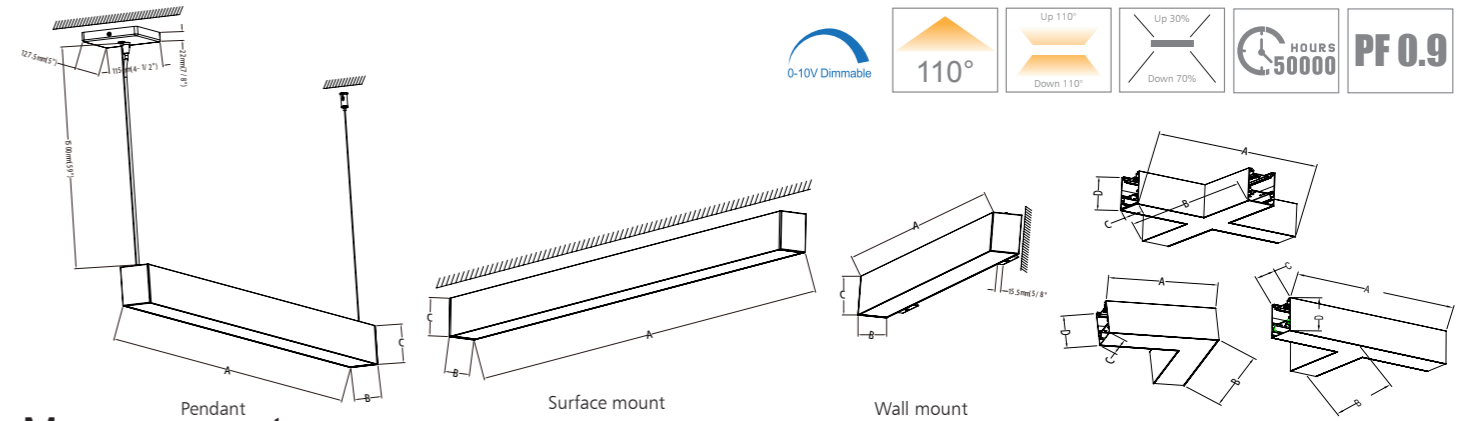
This linear fixture is widely used in shopping mall, office, car park, station, home.





Technical Data Sheet

Code No.	DB77A-600-18W	DB77A-600-25W	DB77A-1200-36W	DB77A-1200-50W	DB77A-2400-72W	DB77A-2400-100W	
Dimension(Inch/mm)	23.7**2.25**3" (602*57*76)		47.7**2.25**3" (1212*57*76)		95**2.25**3" (2412*57*76)		
Cutout (mm)	-						
Watt(W)	18W	25W	36W	50W	72W	100W	
Rated Input Voltage(V)	120						
Input Voltage(V)	120-277						
LED Module Input	-						
Light Source	SMD						
SDCM	<6 (@3000K 4000K 5000K)						
CCT(K)	1-CCT: 3000K/4000K/5000K II 3-CCT 3000K+4000K+5000K						
CCT Selection DIP Switch	YES						
Luminous Flux (lm) ±5%	Non-DIM	1-CCT	-				
			1600-1890	2200-2600	3200-3780	4500-5200	6400-7560
	DIM	3-CCT	-				
			1650-1950	2200-2680	3200-3850	4500-5300	6400-7700
CRI	80						
Beam Angle (°)	Down110°	UP 110°/Down 110°	Down110°	UP 110°/Down 110°	Down110°	UP 110°/Down 110°	
UGR	-						
LED Driver	Built-in						
Dimming Option	0-10V						
Sensor	-						
Emergency Kits	-						
Electrical Class	With Ground						
Ingress Protection (IP Rating)	Damp location						
Impact Resistance (IK Rating)	-						
Product Finishing(Base)	White RAL 9016						
Materials of Optics	PC						
Materials of Housing	Aluminium						
Lifetime (hr)	50,000h						
Glow wire test (°C)	750°C (Cover) 850°C (Lamp Base)						
Operating Temp. (°C)	-20°C ~45°C						
Storage Temp. (°C)	-20°C ~65°C						
Installation	Suspended/surface/Wall mounted						



Measurement

Type	Dimension(Inch/mm)					Size(Inch/mm)	Product Weight (Kg)		Package weight (Kg)		Carton Size(cm)	Qty/CTN	20GP (pcs)	40HQ (pcs)
	Feet	A	B	C	D		N.W/PC	G.W/PC	N.W/CTN	G.W/CTN				
Pendant	2'	23.7"(602)	2.25" (57)	3" (76)	—	23.7**2.25**3" (602*57*76)	2	2.35	12	15	72.5*26*44	6	2100	4290
	4'	47.7"(1212)	2.25" (57)	3" (76)	—	47.7**2.25**3" (1212*57*76)	3.2	3.7	19.2	23.2	133.5*26*44	6	1020	2070
Surface /Wall mount	2'	23.7"(602)	2.25" (57)	3" (76)	—	23.7**2.25**3" (602*57*76)	1.5	1.85	9	12	66*31*25.5	6	2100	4332
	4'	47.7"(1212)	2.25" (57)	3" (76)	—	47.7**2.25**3" (1212*57*76)	2.7	3.2	16.2	20.2	127*31*25.5	6	1710	4074
	8"	95"(2412)	2.25" (57)	3" (76)	—	95**2.25**3" (2412*57*76)	5	6	10	13	248*22.5*14.5	2	640	1440
Corner L	7.87"(200)	7.87"(200)	2.25" (57)	3" (76)	7.87" *7.87" *3" (200*200*76)	0.8	0.9	9.6	11.8	51*44*23	12	6840	15948	
Corner +	13.5"(343)	13.5"(343)	2.25" (57)	3" (76)	13.5**13.5**3" (343*343*76)	1.2	1.4	7.2	9.5	51*36.5*37	6	2484	6006	
Corner T	13.5"(343)	7.87"(200)	2.25" (57)	3" (76)	13.5**7.87**3" (343*200*76)	1	1.15	12	15	53.5*36.5*45	12	3840	9168	

Technical Data Sheet (Accessory parameters)

Code No.	Corner L		Corner T		Corner +	
Dimension(Inch/mm)	7.87" *7.87" *3" (200*200*76)		13.5**7.87" *3"(343*200*76)		13.5**13.5**3" (343*343*76)	
Cutout (mm)	-					
Watt(W)	10W		13W		17W	
Rated Input Voltage(V)	120					
Input Voltage(V)	120-277					
LED Module Input	-					
Light Source	SMD					
SDCM	<6 (@3000K 4000K 5000K)					
CCT(K)	1-CCT: 3000K/4000K/5000K II 3-CCT 3000K+4000K+5000K					
CCT Selection DIP Switch	YES					
Luminous Flux (lm) ±5%	Non-DIM	1-CCT	-			
			900-1050	1170-1360	1530-1780	
	DIM	3-CCT	-			
			900-1100	1170-1400	1530-1820	
CRI	80					
Beam Angle (°)	110°					
UGR	-					
LED Driver	Built-in					
Dimming Option	0-10V					
Sensor	-					
Emergency Kits	-					
Electrical Class	With Ground					
Ingress Protection (IP Rating)	Damp location					
Impact Resistance (IK Rating)	-					
Product Finishing(Base)	White RAL 9016/Black RAL 9005					
Materials of Optics	PC					
Materials of Housing	Aluminium					
Lifetime (hr)	50,000h					
Glow wire test (°C)	750°C (Cover) 850°C (Lamp Base)					
Operating Temp. (°C)	-20°C ~45°C					
Storage Temp. (°C)	-20°C ~65°C					
Installation	Suspended/surface/Wall mounted					

Driver Datasheet (0-10V Dimmable)

Total load wattage		10W	13W	17W	18W	25W	36W	50W
Output	Output Voltage range	DC24-42V			DC 30-50V			
	Rated output current	300mA	400mA	400mA	450mA	600mA	900mA	1250mA
	Line Regulation	±5%						
	Setup, Rise Time	≤1S						
	Flickering Index	-			3.2	2.8	3.1	3.5
Input	Input Voltage	AC108-305V						
	Rated Input Voltage(V)	AC120-277V						
	Frequency	50/60Hz						
	Input Current	0.11	0.14	0.18	0.19	0.26	0.38	0.52
	Rated Input Current	0.1	0.13	0.16	0.17	0.24	0.34	0.47
	Power Factor	0.9						
	THD	<20% @120V						
	Efficiency	83%			84%			
Protection	No load wattage	<1W						
	Short circuit protection	Pass						
	Over voltage protection	Pass						
Safety & EMC	Over temperature protection	Pass						
	Withstand voltage	I/P-FG:1.6kVac, <5mA 60S; O/P-FG:1.5kVac, <5mA 60S; I/P-FG:1.5kVac, <5mA 60S						
	Isolation Resistance	I/P-O/P: 500VDC, ≥100M Ω						
	Surge	IEC/EN61000-4-5 (P<25W; L-N:0.5KV, L/N-PG:1KV); IEC/EN61000-4-5 (P≥25w L-N:1KV, L/N-PG:2KV) IEC/EN 61000-4-12;L-N :2.5KV;L&N-PE:2.5KV;						
	EMC Emission	FCC part 15						
EMC Immunity	FCC part 15							

Installation Procedure

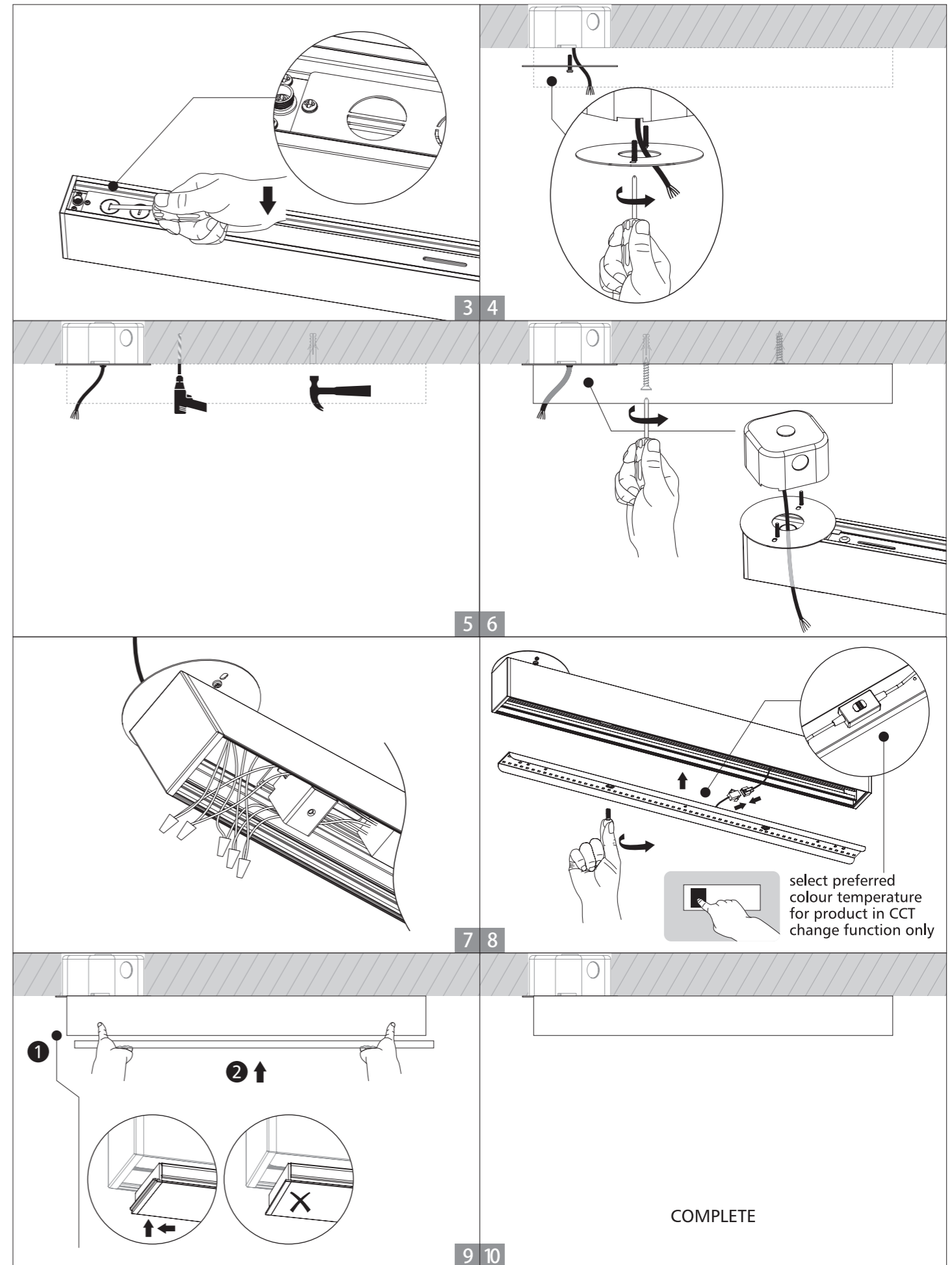
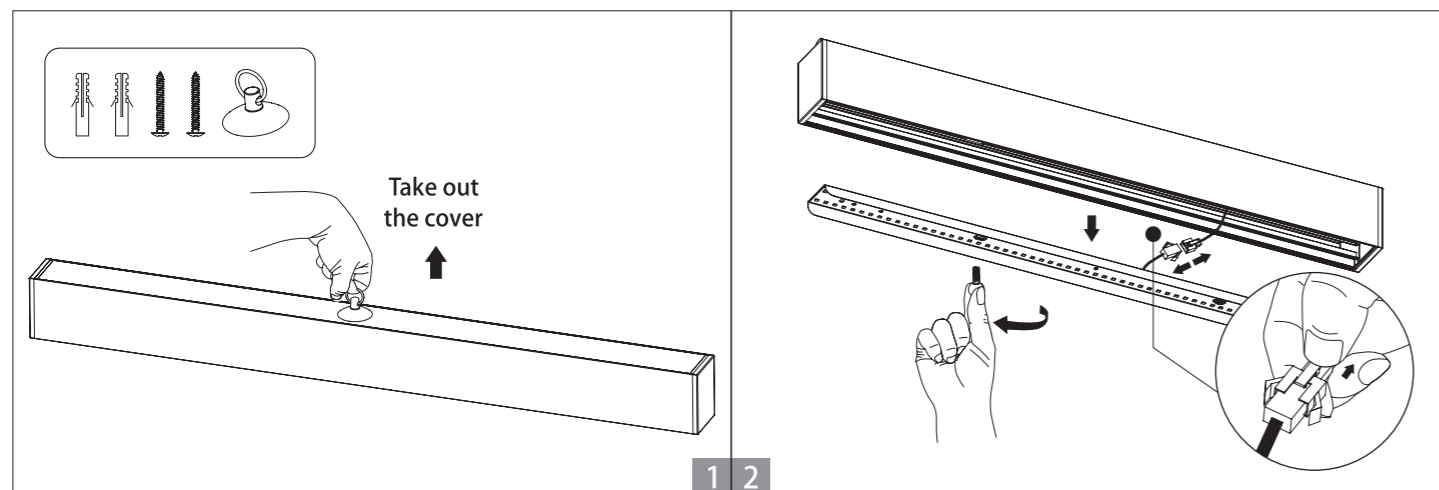
WARNING ⚡

1. Switch off before installation.
2. Switch on only after complete installation and examination of the circuit.
3. Professional electrician for installation and maintenance only.

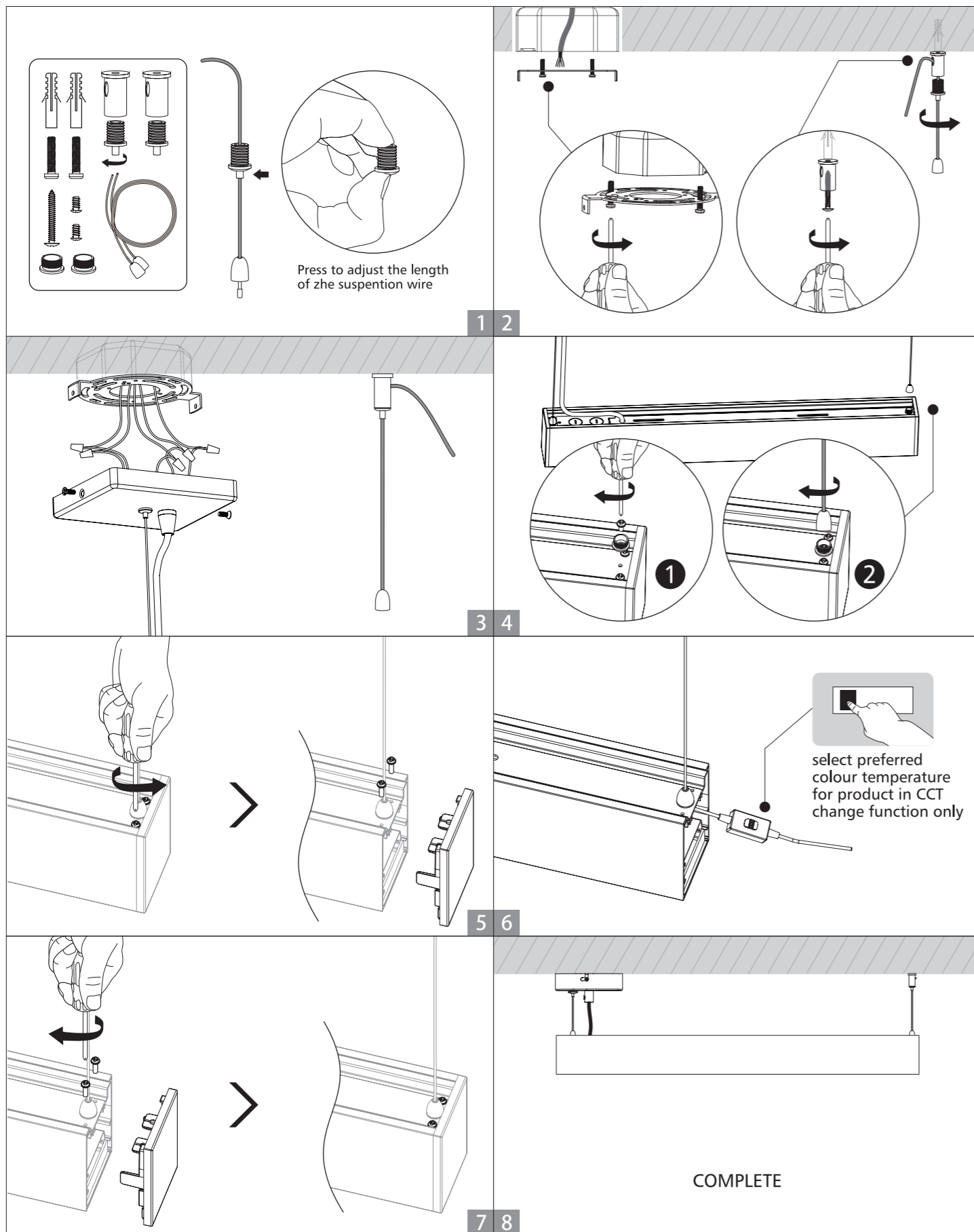


Turn Off power supply before starting any installation. Read instructions & check you have all the tools & accessories to complete the installation correctly.

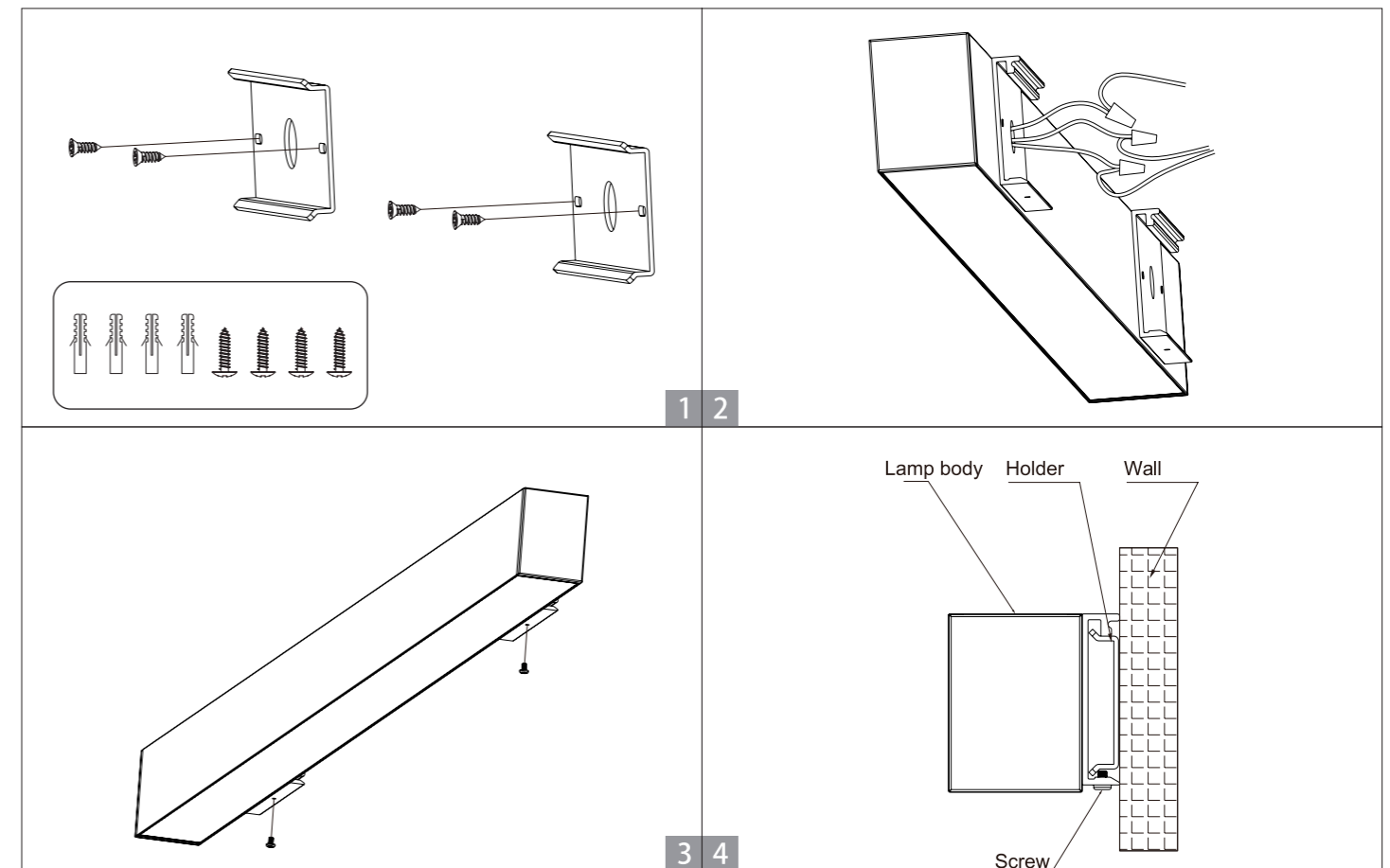
Surface mounted installation



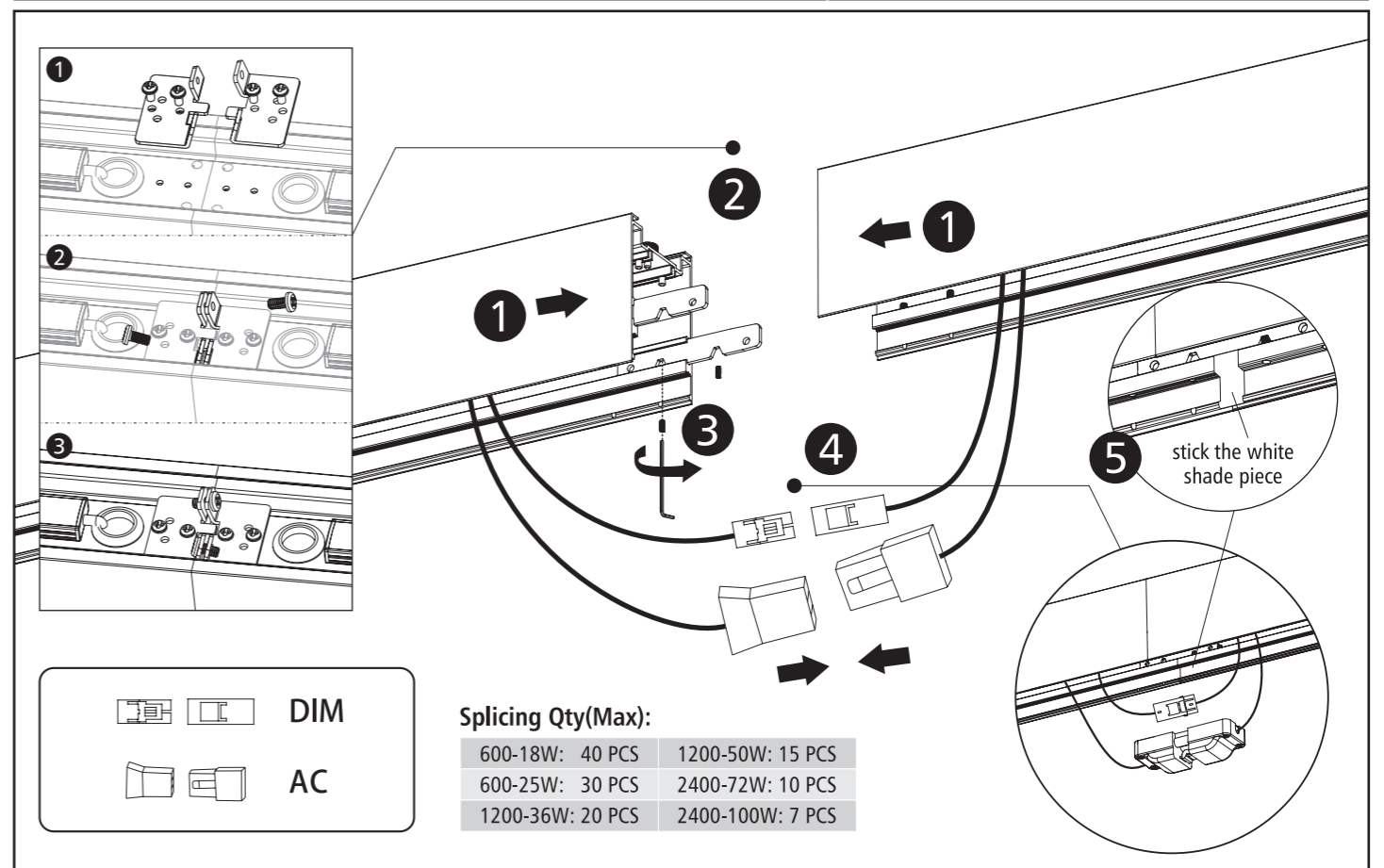
Steel wire suspension steps



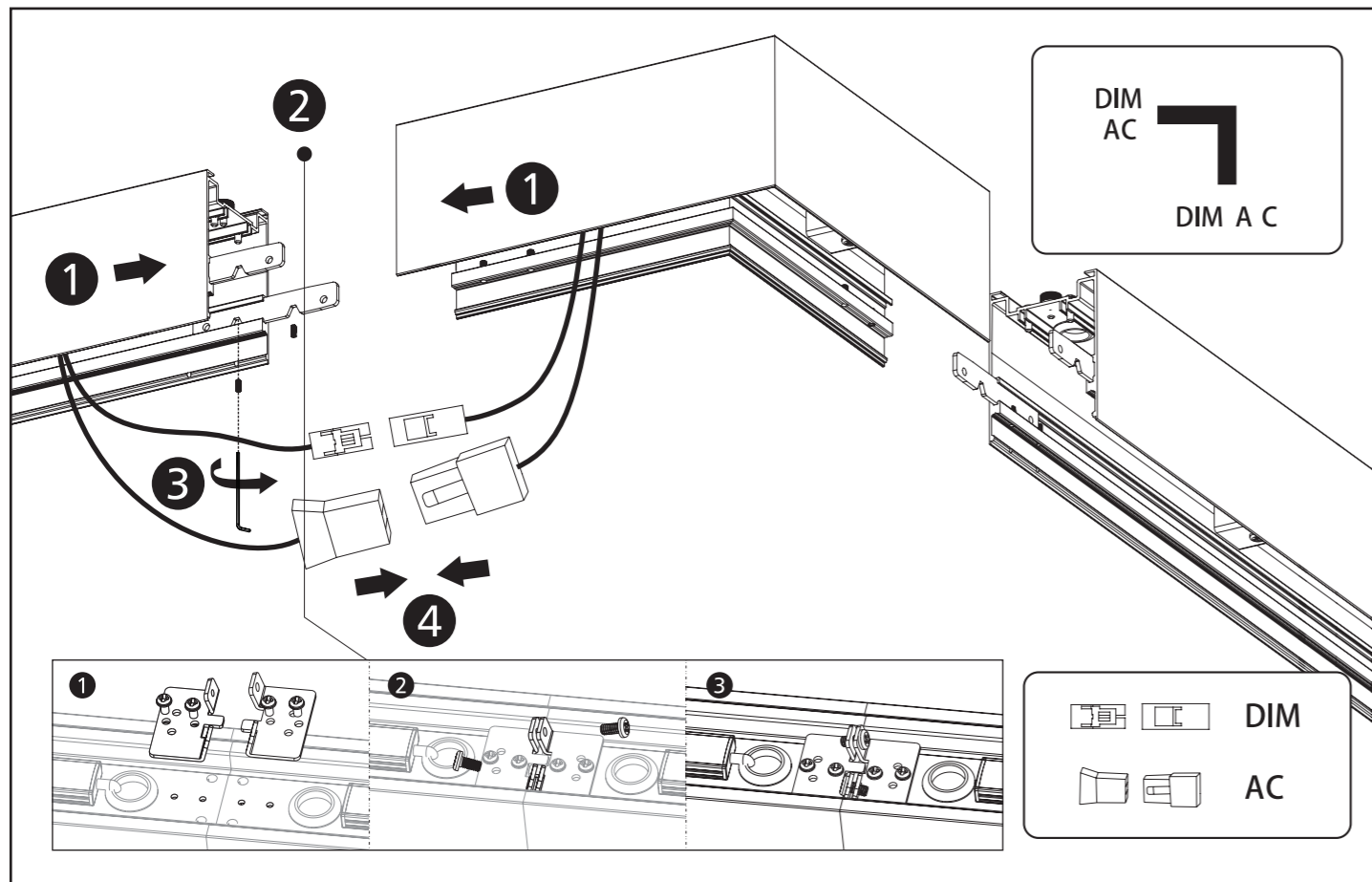
Wall mounted installation



Straight "—"

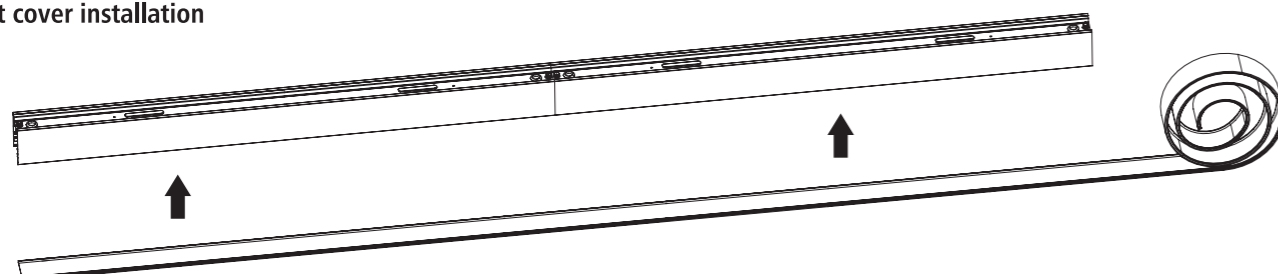


Corner "L"



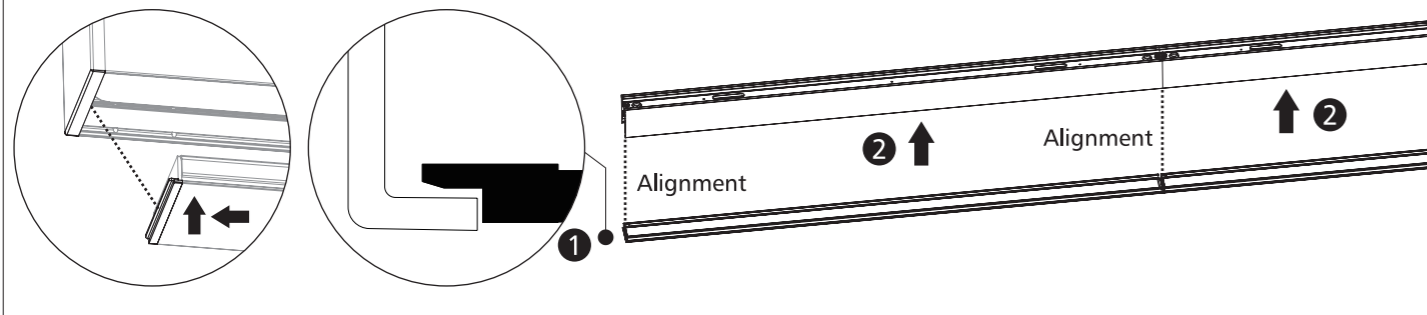
Cover installation

Soft cover installation

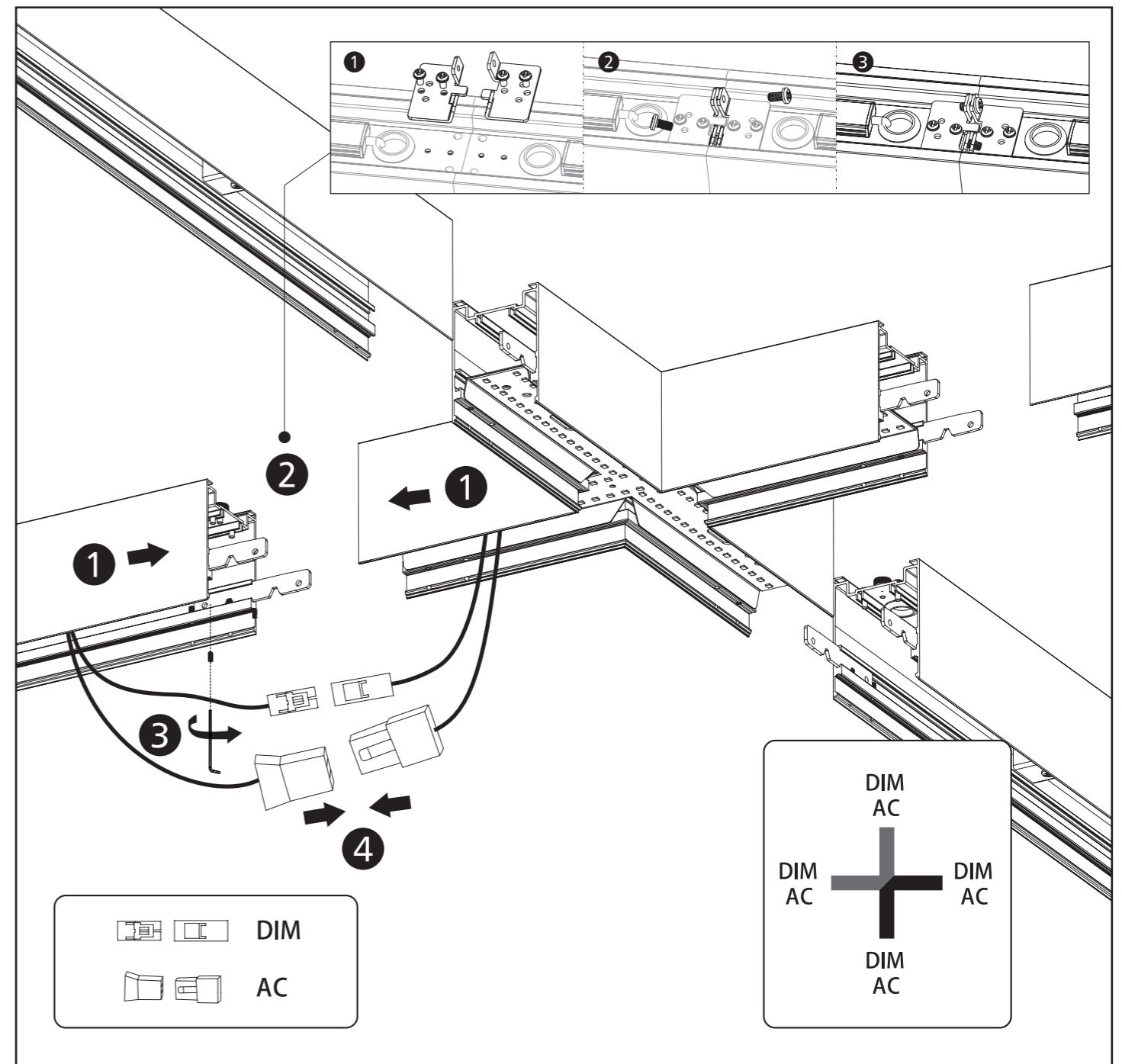


The soft lampshade will have a shrinkage rate of 7 / 10000 at Ta 25~45 degrees. During installation, a gap shall be reserved between the lampshade and the end cap. (Recommend max splicing length 6m with 2mm gap at both ends under Ta 25 C°, no need gap for Ta 45C°)

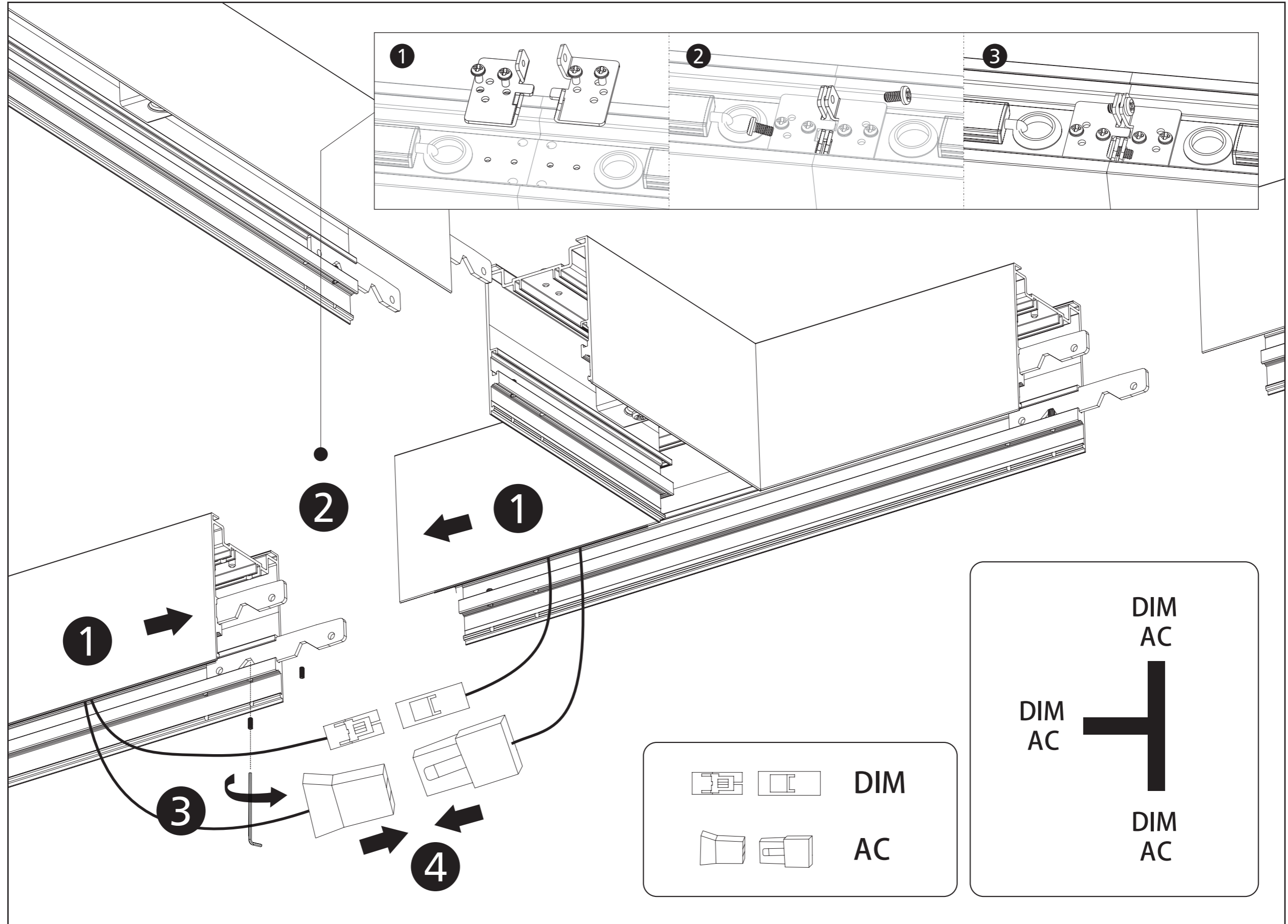
Fixed cover installation



Cross "+"



Corner "T"



ECO
Specifications

STD
Specifications

PRO
Specifications

ODM
Specifications


INT
Intelligent

 **HCI LIGHTING**
HERITAGE CASTING & IRONWORKS LTD.

HERITAGE CASTING & IRONWORKS LTD. | Phone: (905) 238-2648 | Email: sales@hcilighting.com | Address: 1280 Fewster Dr, Mississauga, L4W 1A4