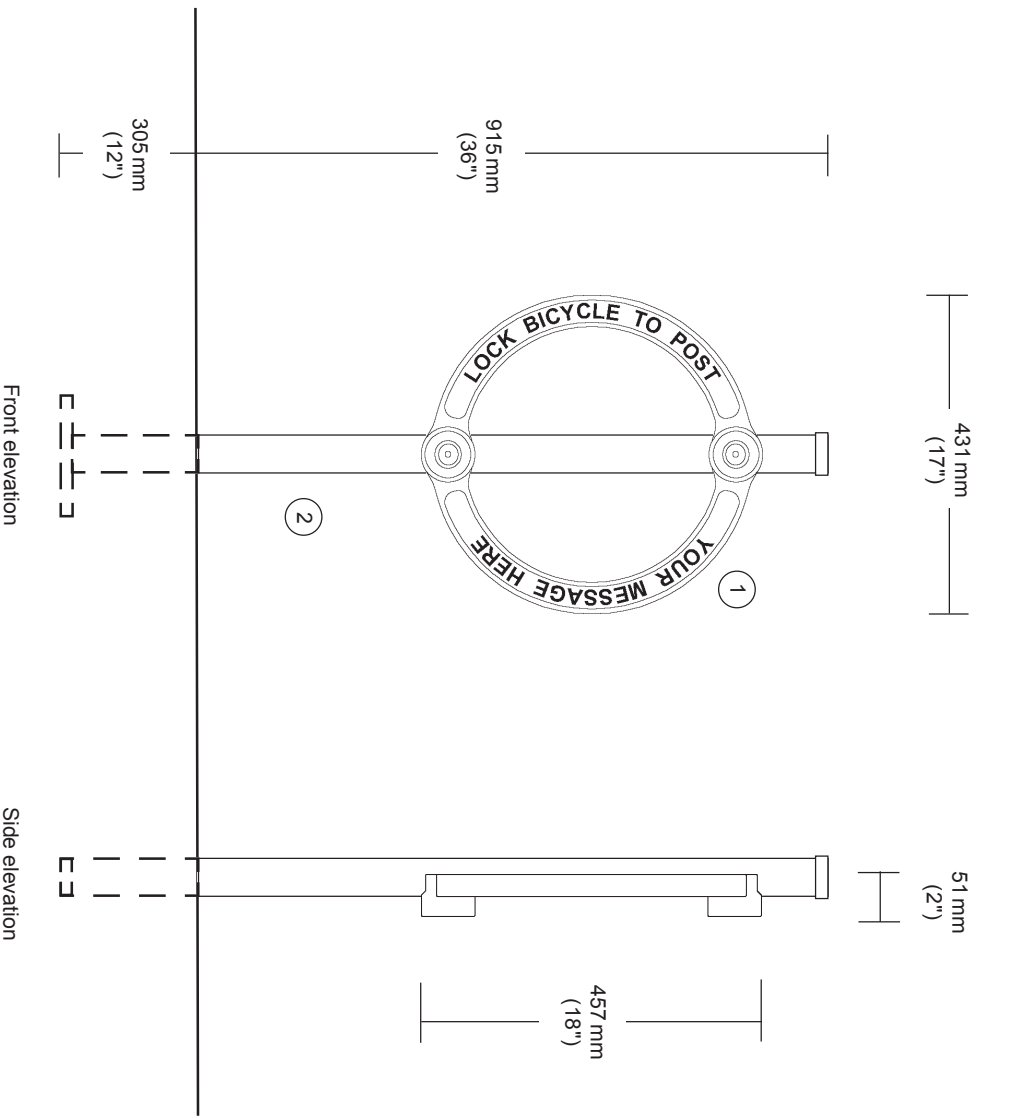


Specification Sheet

Boardwalk Series Bike Rack 9410



1) Bike Rack

Ring is made out of heavy cast aluminum and can accommodate two bicycles. Standard message on left side of both front and back is "Lock Bicycles To Post". Optional message on right side of both front and back can be cast directly into ring. Message can have a maximum of 21 letters including spaces. Letters are 25mm (1") high.

2) Mounting

Ring mounts on 60mm (2-3/8") aluminum tube with two 10mm (3/8") stainless steel, vandal resistant bolts. Standard mounting is direct burial (DB). Optional mounting can be surface mounted (SM) (anchor bolts by others). **Specify when ordering.** The ring can also be mounted on any tube, such as a parking meter pole, with a maximum diameter of 60mm (2-3/8").

3) Finish

Electrostatically applied thermoset polyester powder-coat paint with a four-step corrosion inhibiting process.

4) Colour

Choice of five standard RAL colours:
9011 Graphite Black, 6005 Moss Green, 7012 Basalt Grey, 8019 Grey Brown and 9016 Traffic White. **Please specify.**

Ordering example: 9410-SM-RAL 9011



Heritage Casting & Ironworks

1280 Fewster Drive, Mississauga, Ontario, Canada L4W 1A4
Tel: (905) 238-2648 Fax: (905) 238-9060
Toll Free Canada & USA: 1-800-267-3175
sales@hclighting.com www.hclighting.com