

B808 Lighted Bollard



Description

The body of the bollard is made of cast aluminum and extrusion to withstand harsh weather. All components are secured using stainless steel fasteners and hardware is concealed when installed.

The LEDs are attached directly to the top of the housing, transferring all heat to the exterior of the fixture.

All electrical components shall be UL listed and labeled.

Specification

Housing

Made from heavy duty cast aluminum to withstand harsh weather.

Hardware

All exposed hardware is made of durable stainless steel, with industrial strength seals.

Interior Design & Optical

Energy efficient LED driver is mounted on the top of the housing, with quick disconnect wiring to allow easy driver maintenance.

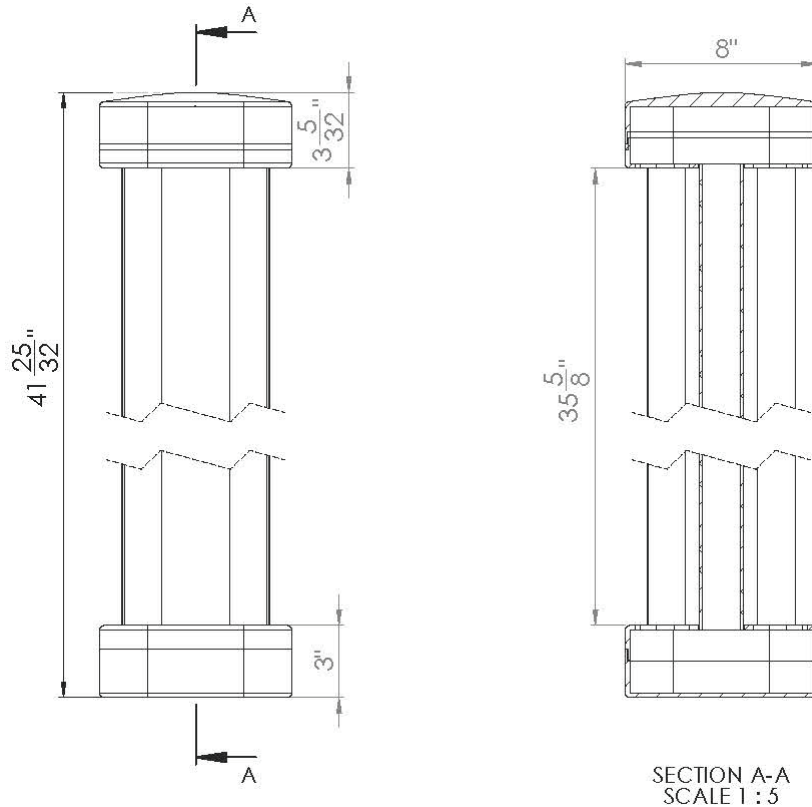
Exterior Design & Finish

Bollard is suitable for wet locations.

Finish is electrostatically applied with thermoset polyester powder-coat.



Dimensions



Product Ordering Number

PRODUCT	LUMENS	CCT	VOLTAGE	OPTIONS
B808	Max 2,525 LUMENS	3000K 4000K =10% Variance	120v-277v	N/A

DIFFUSER TYPE

N/A

Color

- Standard RAL
- 6005 Green
- 7012 Grey
- 8019 Bronze
- 9011 Black/Txt
- 9016 White
- Custom RAL

