

A378 SERIES

DESCRIPTION

The arm shall be HCI A378-____ (specify configuration) arm, consisting of a bent arm welded onto a decorative central column.

MATERIALS

The arm shall be made of 2-7/8" OD x 3/16" thick aluminum extrusion welded onto the cast aluminum column.

CONFIGURATION

A variety of configurations is available, most of which are illustrated below. An additional option is noted below in the bottom left-hand corner.

INSTALLATION

Arms shall be equipped with 1-1/2" NPT male fitting for fixture mounting. Arms are not pre-wired and shall be wired by the contractor. Mounting hardware is not included.

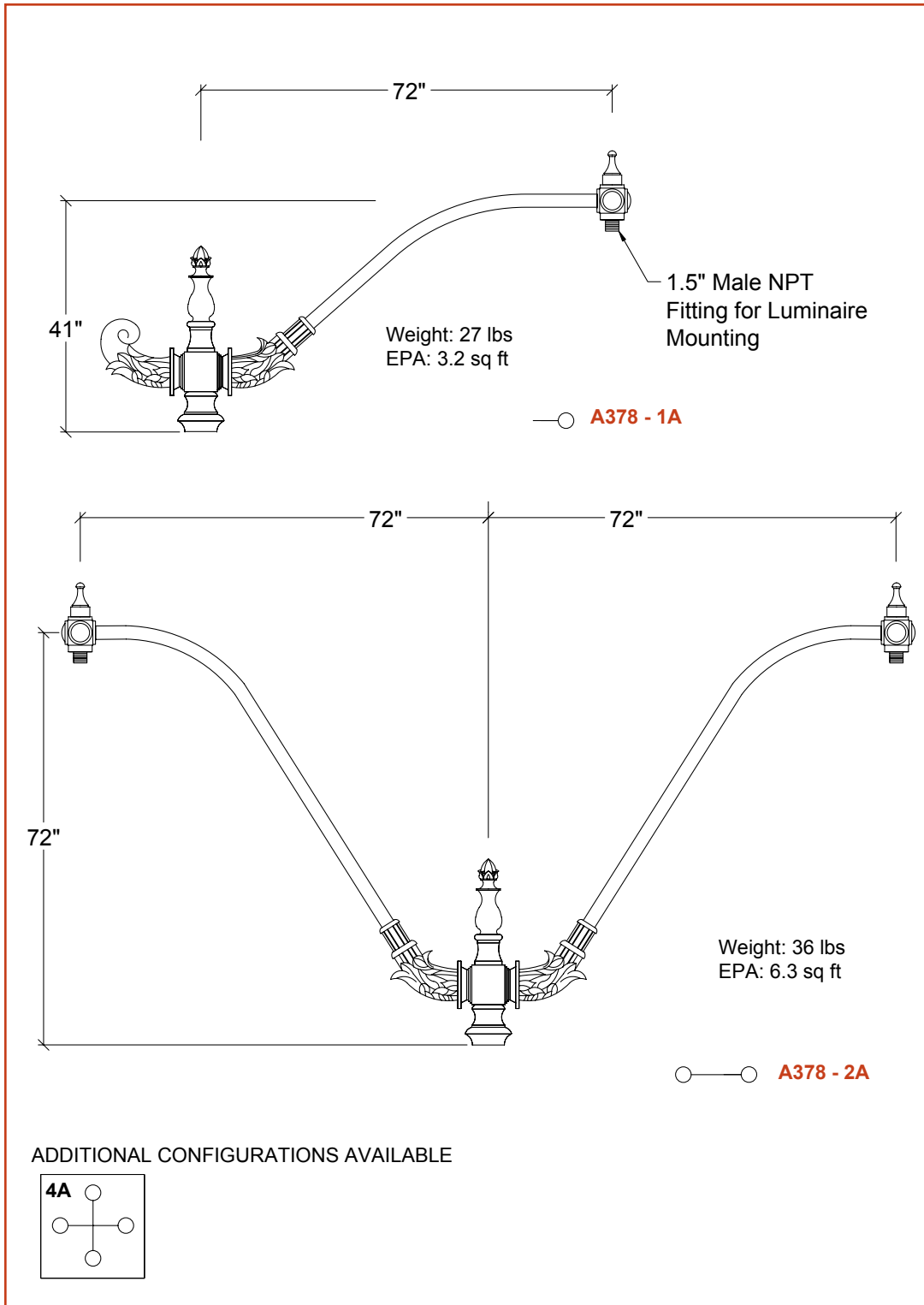
FINISH

All applicable parts shall receive a standard electrostatically applied thermo-set polyester powder coat smooth semi gloss finish with a four part corrosion inhibiting process.

COLORS

The five standard RAL colors are listed below. Simply check off the color applicable to your project. Custom colors are available for an additional charge. Please supply a 2" x 2" paint chip.

- Black** RAL 9011
- Green** RAL 6005
- Bronze** RAL 8019
- Grey** RAL 7012
- White** RAL 9016



(800) 267-3175 (905) 238-2648
 1280 Fewster Drive Mississauga
 Ontario L4W 1A4 Canada
 Fax (905) 238-9060
 Email sales@hcilighting.com
 WEB www.hcilighting.com