

A361 SERIES

DESCRIPTION

The arm shall be HCl A361-____ (specify configuration) arm, consisting of a bent arm welded onto a pole adaptor. Multiple arms shall be welded to an aluminum pole adaptor with cast aluminum horizontal bars.

MATERIALS

The arm shall be made of 2-3/8" OD, 0.154" thick aluminum extrusion welded onto cast aluminum pole adaptor. An optional scroll shall be made of 1-1/2"W x 1/4" thick aluminum flat bar. All hardware shall be tamper resistant, stainless steel.

CONFIGURATION

A variety of configurations are available, some of which are illustrated below. Those not illustrated are noted in the bottom left-hand corner. Non-standard configurations may be feasible, please consult factory for details.

INSTALLATION

Arms shall feature pole adaptor with a decorative cast aluminum cover. A 2" ID opening is provided on the fixture side. Arms are not pre-wired and shall be wired by the contractor.

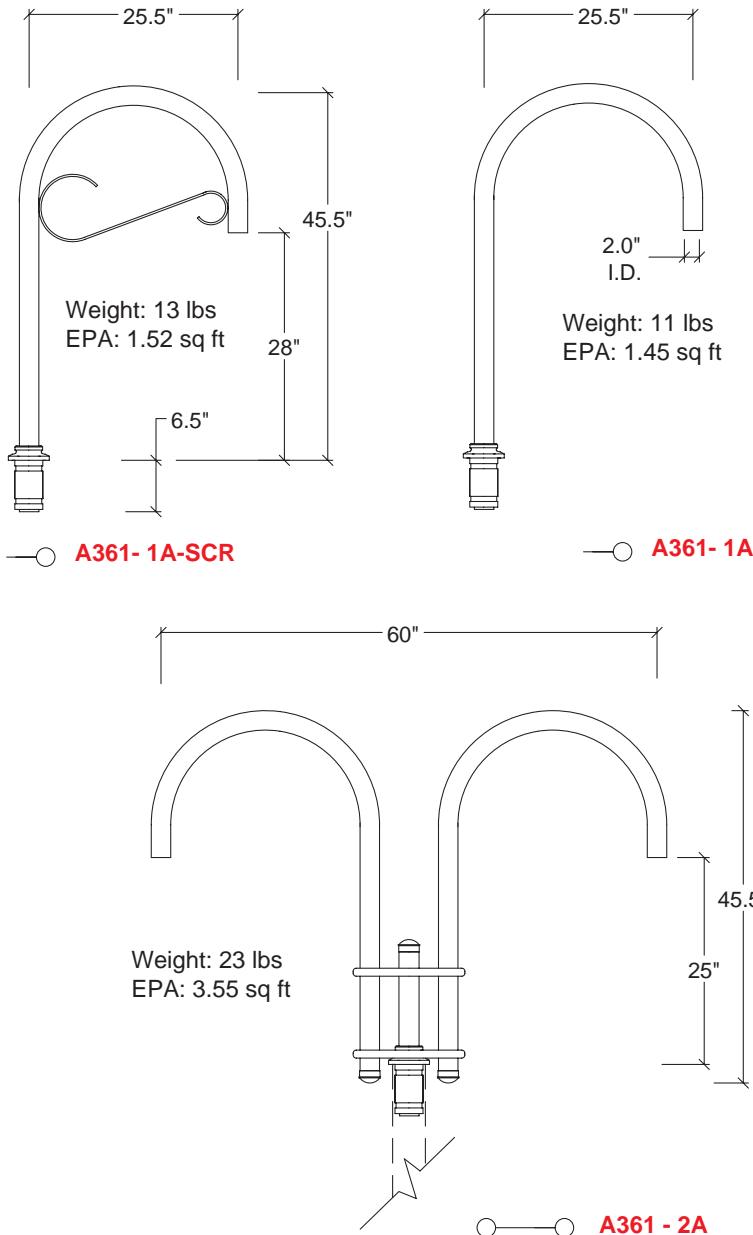
FINISH

All applicable parts shall receive a standard electrostatically applied thermoset polyester powder coat smooth semi gloss finish with a four part corrosion inhibiting process.

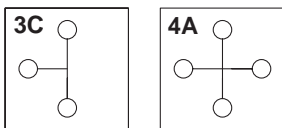
COLORS

The five standard RAL colors are listed below. Simply check off the color applicable to your project. Custom colors are available for an additional charge. Please supply a 2" x 2" paint chip.

- Black** RAL 9011
- Green** RAL 6005
- Bronze** RAL 8019
- Grey** RAL 7012
- White** RAL 9016
- Custom**



ADDITIONAL CONFIGURATIONS AVAILABLE



(800) 267-3175 (905) 238-2648
 1280 Fewster Drive Mississauga
 Ontario L4W 1A4 Canada
 Fax (905) 238-9060
 Email sales@hclighting.com
 WEB www.hclighting.com