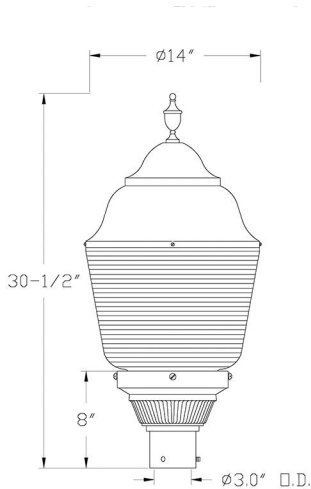


ACORN LUMINAIRES: F121 (RICHMOND)



F121-S
Weight: 18 lbs.
EPA: 1.00 sq. ft.
Size: 14" W x 30-1/2" H



Specification Features

- Ornamental heavy gauge die cast aluminum base
- Quick disconnect ballast system mounted on removable plate
- Integrated button photocell optional
- Suitable for wet locations IP 54
- E39 mogul base
- Post top mounting tenon size 3"W x 3"H
- Silver powder coated finish

Product Ordering Number

SIZE	FITTER STYLE	DIFFUSER TYPE	LIGHT SOURCE	VOLTAGE	OPTICS	FINIAL	OPTIONS	COLOR
F121-S	R-11-1/3" H	EAC External prismatic acrylic	50W HPS	120V or 240V	BL Bare lamp IES type V	FB		Silver

NOTES
This is a pre-configured fixture available for QUICK SHIP. Price may be adjusted for any modifications.